

WALL MOUNTED SPLIT-TYPE AIR CONDITIONERS

SERVICE MANUAL

No.211209

PANDORA SERIES

Models

RC-PD22HN

RC-PD28HN

RC-PD35HN

RC-PD55HN

RC-PD70HN

RC-PD95HN

CONTENTS

- 1. IMPORTANT NOTICE**
- 2. PRODUCT DIMENSIONS**
- 3. REFRIGERATION CYCLE DIAGRAM**
- 4. OPERATION DETAILS**
- 5. WIRING DIAGRAM**
- 6. EXPLOSION VIEW AND PART LISTS**
- 7. PRECAUTION**
- 8. NAMES OF PARTS**
- 9. INSTALLATION**
- 10. TROUBLE SHOOTING**

1. IMPORTANT NOTICE

This service manual is intended for use by individuals possessing adequate backgrounds of electrical, electronic and mechanical experience. Any attempt to repair the appliance may result in personal injury and property damage. The manufacturer or seller cannot be responsible for the interpretation of this information, nor can it assume any liability in connection with its use.

The information, specifications and parameters are subject to change due to technical modification or improvement without any prior notice. The accurate specifications are presented on the nameplate label.

How to order spare parts

To have your order filled promptly and correctly, please furnish the following information:

Model No. with Indoor or Outdoor

Part No. in the Explosion View

Part Name

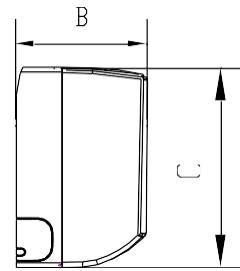
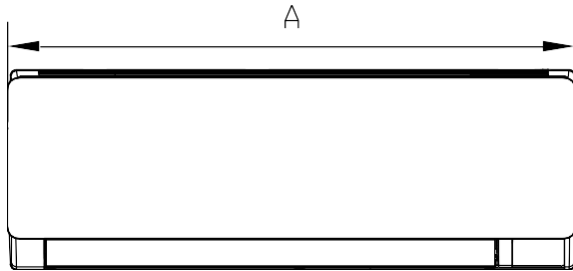
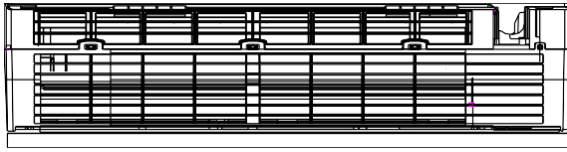
The quantity you ordered

Ambient temperature

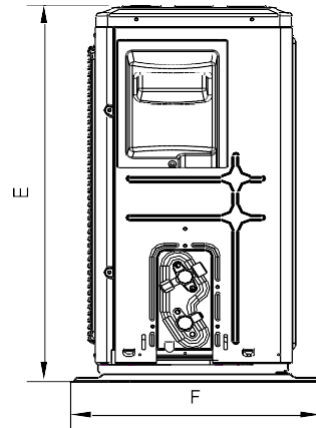
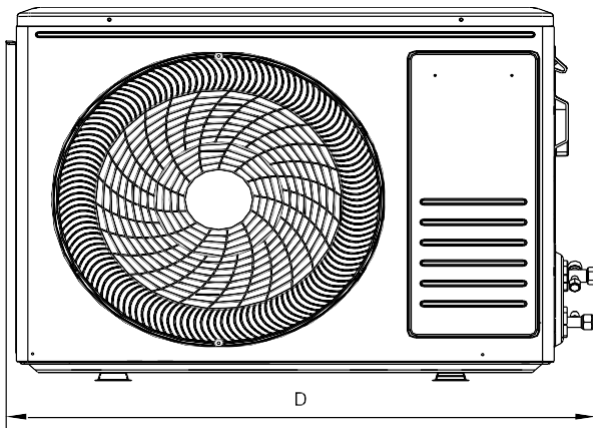
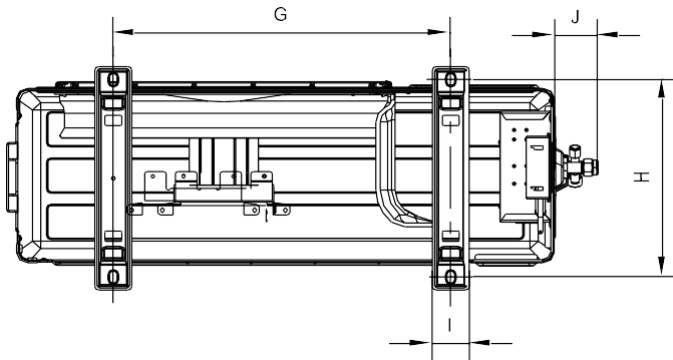
Mode type	Climate type		
	T1	T2	T3
Cooling only	18-43°C	10-35°C	21-52°C
Cooling and heating	-7-43°C	-7-35°C	-7-52°C
Heater	~43° C	~35° C	~52° C

2. PRODUCT DIMENSIONS

Indoor Unit:



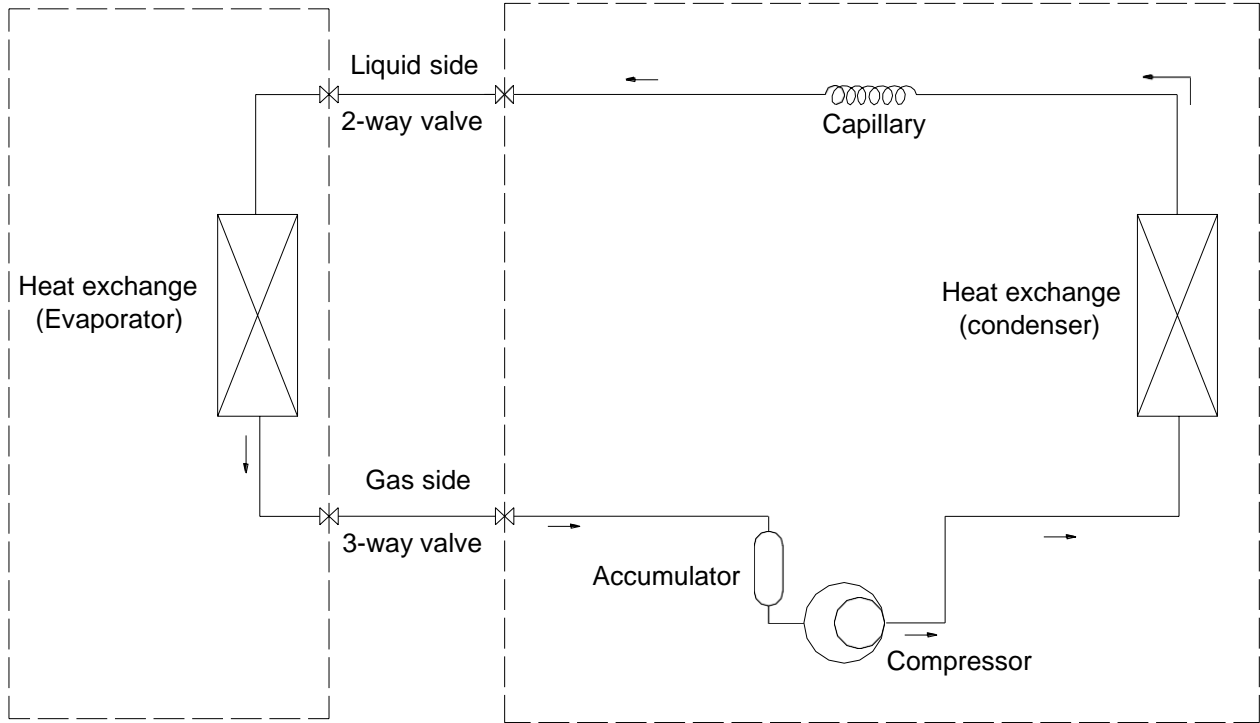
Outdoor Unit:



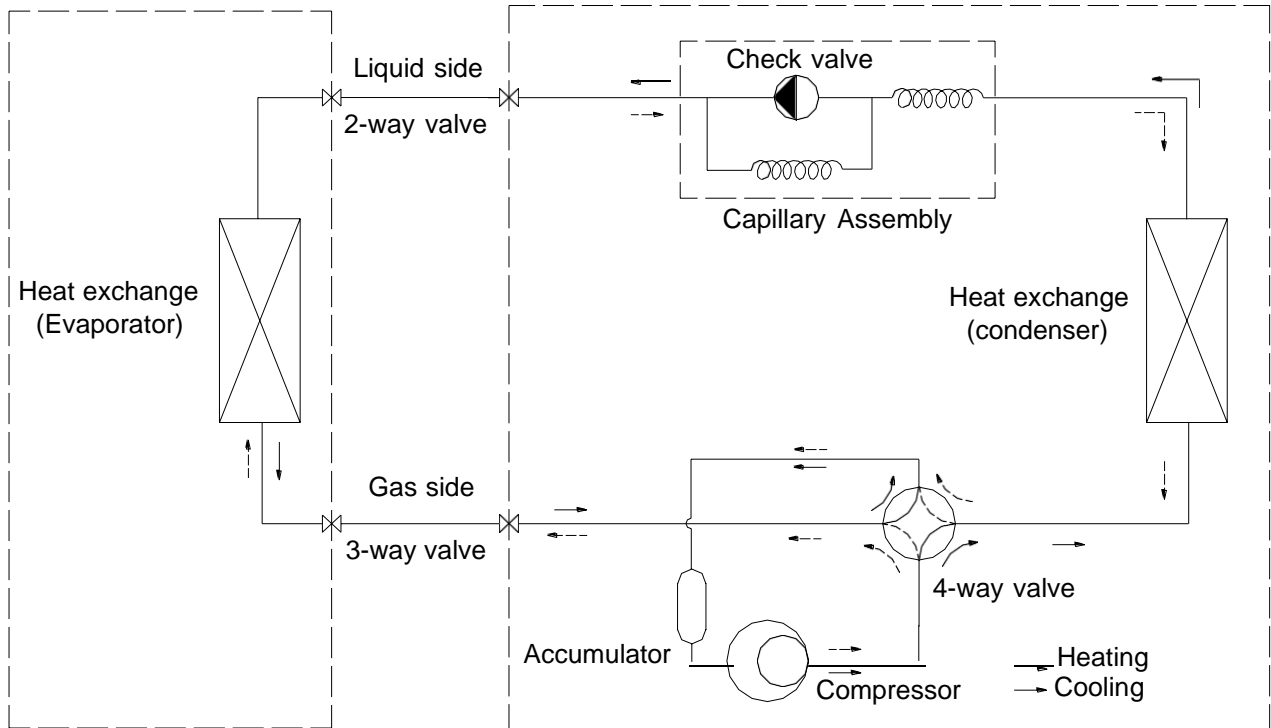
Model	Indoor unit			Outdoor unit						
	A	B	C	D	E	F	G	H	I	J
RC-PD22HN	811	198	278	712	459	276	362	256.2	48	55
RC-PD28HN	811	198	278	712	459	276	362	256.2	48	55
RC-PD35HN	811	198	278	777	498	290	415	263	48.5	52
RC-PD55HN	1015	221	313	853	602	349	516	314	53.9	52
RC-PD70HN	1132	229	332	920	699	380	586	347.5	58.6	63
RC-PD95HN	1277	271	360	953	808	433	675	398	50	63

3. REFRIGERATION CYCLE DIAGRAM

Cooling only

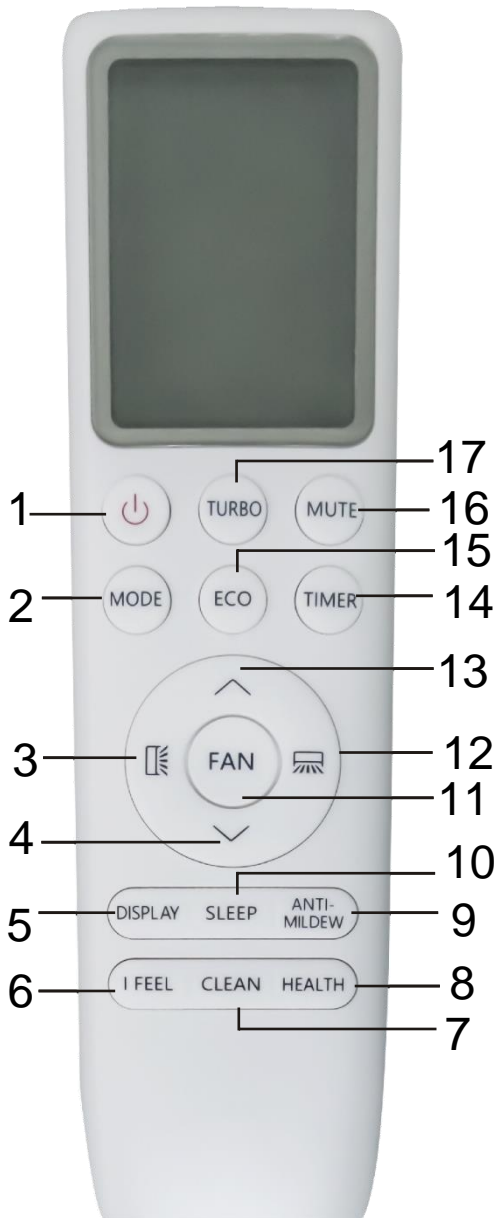


Heat pump



4. Operation Details

Remote controller



- 1 ON/OFF button**
To switch the conditioner on and off.
- 2 MODE button**
To select the mode of operation.
- 3 SWING button**
To activate the swing of horizontal flap(up/down) or deactivate it.
- 4 TEMP DOWN button**
Decrease the temperature or time by 0.5 unit.
- 5 DISPLAY button**
Press DISPLAY button to switch off the LED display on the panel. Press again to switch on the LED display.
- 6 I FEEL button**
To switch - activr/deactive I*FEEL fuñction. The air conditioner will regulate the room temperature base on the temperature around the remote controller.This function will terminate 2 hours later once it's active.
- 7 CLEAN button**
To active this function, press CLEAN button at the same time, until hear a beep from indoor unit.Only optional for heating pump inverter appliance.
- 8 HEALTH button**
To switch - on /off HEALTHY function. It is a button which controls the ionizer or negative generator only for inverter type.
- 9 ANTI-MILDEW button**
Press this button to activate/deactivate the ANTI-MILDEW function.
- 10 SLEEP button**
To activate the function "SLEEP".
- 11 FAN SPEED button**
To select the fan speed of auto/mute/low/mid-low/mid /mid-high/high/turbo , cycle as below.
Flashing
- 12 SWING button**
To activate the swing of vertical flap(left/right) or deactivate it.
- 13 TEMP UP button**
Increase the temperature or time by 0.5 unit.
- 14 TIMER button**
To set automatic switching-on/off.
- 15 ECO button**
Press this button to activate/deactivate the ECO function.
- 16 MUTE button**
To activate the function of Mute.
- 17 TURBO button**
Press this button to activate/deactivate the Super function which enables the unit to reach the preset temperature in the shortest time.

Note :

If the remote controller is cooling only, you can press MODE button for 5 seconds when the remote controller off.

If the unit display fahrenheit degree, you can press TURBO button for 5 seconds change to centigrade degree.

4.2 Electronic controller

RT ----- Room Temperature.

IPT----- Indoor Pipe (Coil) Temperature.

ST----- Indoor Setting Temperature.

OPT ---Outdoor Pipe Temperature.

CRT ---Compensated Room Temperature.

IDU ---Indoor unit

ODU--- Outdoor unit.

Note: When AC finishing installation, because of the air ventilation and the distance of temperature test sensor to different location of the house, the temperature for IDU PCB control need compensation.

- 1) . **Cooling mode. CRT=RT;**
- 2) . **Heating mode. CRT=RT-3°C ----- Split AC.**

4.2.1 Auto mode

5.2.1.1. The set temperature can be adjusted from 16-31°C (61-88°F) on auto mode, the operation of fan speed and vane position according to preset.

5.2.1.2. Operation

When unit set to auto mode, it will work on cooling, heating or fan mode totally according to Δt --the temperature difference between RT and ST shown as table:

Mode	$\Delta t=RT-ST$
COOLING	$\Delta t > 1^{\circ}\text{C}$
FAN	$-1^{\circ}\text{C} \leq \Delta t \leq 1^{\circ}\text{C}$
HEATING	$\Delta t < -1^{\circ}\text{C}$

4.2.2 Cooling mode

4.2.2.1. Temperature control :16-31°C(61-88°F), and the operation of fan speed and vane position according to preset.

4.2.2.2. Compressor and process control

- 1). When $RT-ST \geq 1^{\circ}\text{C}$ the compressor starts up working, AC operates as customer preset;
- 2). When:
 - a. $RT-ST \geq 1^{\circ}\text{C}$, the compressor will start up operation once it stops 3 minutes, and unit without any other protection or failure code.
 - b. $RT-ST \leq -1^{\circ}\text{C}$, the compressor will stop working while it works for 6 minutes or more continuously.
 - c. $-1^{\circ}\text{C} < RT-ST < 1^{\circ}\text{C}$, the compressor keeps original state.
- 3). The compressor will also stop working while unit:
 - a. switched off.
 - b. under protection.
 - c. changed to fan mode.
- 4). Under normal operation, the compressor can be stopped by program until it works for 6 min at least once starts up.
- 5). In the process of unit operation, once the compressor ceased, it should be 3 min delay for the next procedure.

4.2.2.3. ODU Fan motor control:

- 1). While unit:
 - a. switched off.
 - b. under protection.
 - c. to the set temperature.

The compressor stops working, and the fan motor will stop operation after 50s delay.

- 2). When switch on unit on cooling mode, ODU fan motor will delay 5s after compressor starts up.

4.2.2.4. When ODU failure or stops for protection, IDU works as preset.

4.2.2.5. Anti-frosting protection

While condition a), b) matched, the AC unit transferred to anti-frosting protection.

- a). After the compressor continual works for 6 minutes, and tested $IPT \leq 0^{\circ}\text{C}$ for 3 minutes continuously.
- b). After the compressor continual works 6 minutes, and tested $IPT \leq -2^{\circ}\text{C}$ for 3 seconds continuously.
- c). AC unit quit protection while $IPT \geq 10^{\circ}\text{C}$.

4.2.3 Dry mode

4.2.3.1. Temperature control: $16\sim 31^{\circ}\text{C}$.

Fan speed: low

Vane blade position: as customer preset

4.2.3.2. When ODU failure or stops for protection, IDU works as preset.

4.2.3.3. Compressor and process control

- 1). When $RT-ST \geq 1^{\circ}\text{C}$, the compressor starts up working, AC operates as customer preset;
- 2). When
 - a. $RT-ST > 2^{\circ}\text{C}$, the compressor will start up operation once it stops 3 minutes, and unit without any other protection or failure code.
 - b. $RT-ST < -2^{\circ}\text{C}$, the compressor will stop working while it works 6 minutes or more continuously.
 - c. $-2^{\circ}\text{C} \leq RT-ST \leq 2^{\circ}\text{C}$, the compressor will stop working while it works for 6 minutes, after 4 minutes it will start working again.
- 3). The compressor will also stop working while unit:
 - a. switched off.
 - b. under protection.
 - c. changed to fan mode.
- 4). Under normal operation, the compressor can be stopped by program until it works for 6 min at least once starts up.
- 5). In the process of unit operation, once the compressor ceased, it should be 3 min delay for the next procedure.

4.2.3.4. ECO and sleep mode: Invalid.

4.2.3.5. Anti-frosting protection

While any of condition a), b), or c) matched, the AC unit transferred to anti-frosting protection.

- a). After the compressor continual works for 6 minutes, and tested $IPT \leq 0^{\circ}\text{C}$ for 3 minutes continuously.
- b). After the compressor continual works 6 minutes, and tested $IPT \leq -2^{\circ}\text{C}$ for 3 seconds continuously.
- c). If the unit works as 6 minutes ON, 4 minutes OFF, and tested $IPT \leq 0^{\circ}\text{C}$ for 3 minutes continuously.
- d). AC unit quit protection while $IPT \geq 10^{\circ}\text{C}$.

4.2.4 Heating mode

4.2.4.1. Temperature control: $16\sim 31^{\circ}\text{C}(61\sim 88^{\circ}\text{F})$.

4.2.4.2. Compressor and process control.

- 1). When $ST-CRT \geq 1^{\circ}\text{C}$, the compressor starts up working, AC operates as customer preset;
- 2). When
 - a. $ST-CRT \geq 1^{\circ}\text{C}$, the compressor will start up operation once it stops 3 minutes, and unit without any other protection or failure code.
 - b. $ST-CRT \leq -1^{\circ}\text{C}$, the compressor will stop working while it works 6 minutes or more continuously.
 - c. $-1^{\circ}\text{C} < ST-CRT < 1^{\circ}\text{C}$, the compressor keeps original state.
- 3). The compressor will also stop working while unit:
 - a. switched off.
 - b. under protection.
 - c. changed to fan mode.
- 4). Under normal operation, the compressor can be stopped by program until it works for 6 min at least once starts up.
- 5). In the process of unit operation, once the compressor ceased, it should be 3 min delay for the next procedure.

4.2.4.3. IDU time delay: When compressor stops or unit switches off while in heating mode, IDU fan motor keeps working for 50 seconds.

4.2.4.4. ODU Fan motor control:

1). While unit:

- a. To be switched off
- b. Under protection.
- c. To the set temperature

The compressor stops working, and the fan motor will stop operation after 50s delay.

2). When switch on unit on heating mode, ODU fan motor will start up 3s earlier before compressor starts up.

3). In the process of defrosting, the fan motor will stop operation 39s delay after compressor stopped.

4). defrosting finish, the compressor stops operation, the fan motor will start working simultaneously.

4.2.4.5. 4-way valve control

1). On Cooling/Dry/Fan mode, 4-way valve: **OFF**,

when unit switched on heating mode, 4-way valve: **ON**.

2). When heating mode switched off, or changed from heating to other modes, the 4-way valve will be **OFF** 2 min delay after the compressor stops working.

3). The 4-way valve will be **OFF** 2 min delay while unit stops working caused by any kinds of protection.

4). In the process of defrosting, 4-way valve will be **OFF** 39s delay after compressor stopped.

5). When defrosting finish, the compressor stops operation, 4-way valve will be **ON** after 20s delay.

4.2.4.6. Defrost

Note:

t1: The compressor continuous works time.

t2: The compressor accumulated working time.

t3: The tested max value of "IPT-RT" after compressor works for 8 minutes till to current.

oT: The current value of "IPT-RT" while compressor works. (*the instantaneous value*)

1). When AC unit works matching a), b) and c):

- a. $t1 \geq 120$ minutes,
- b. $t2 \geq 45$ minutes,
- c. $t3 \geq oT + 4^{\circ}\text{C}$.

it triggers to defrosting.

Defrosting start up: Compressor stops working, and re-starts operation after 44s delay;

2). AC unit quit defrosting automatically after 10 minutes operation.

Defrosting end off: Compressor stops working, and re-starts after 25s delay;

4.2.4.7. Cold air prevention:

This function intends to prevent cold air from being discharged when the heating operation starts up

1). IDU fan motor cold air prevention

① .When $RT < 24^{\circ}\text{C}$:

- a. If $ITP > 31^{\circ}\text{C}$ while compressor works for 5 min, fan motor will work according to preset fan speed.
- b. If $IPT \leq 31^{\circ}\text{C}$, fan motor stops working while compressor operation within 2min, if $IPT \geq 27^{\circ}\text{C}$, fan motor works in low speed 2 min, then change to preset speed.

② When $RT \geq 24^{\circ}\text{C}$:

- a. Within 2 min after compressor starts up working, once $IPT > 27^{\circ}\text{C}$, fan motor will change to preset speed.
- b. After compressor starts working 2 min, fan motor changes to preset speed directly.

2). Vane blade operation for cold air prevention.

a. If the vane works on status of **non-swing**: While IPT increase to a special degree, the vane blade will change the position to:

- ① Default angle; or
- ② Previous position; or
- ③ Customer preset.

The above operation can work one time only, when compressor stops working, the unit will inspect the function once again.

b. If the vane works on **swing**: When IDU quits from cold air prevention, vane operate as preset.

4.2.4.8. "8°C" Heating

When function effective, it will make sure the room temperature not lower than 8°C, unit works on heating mode.

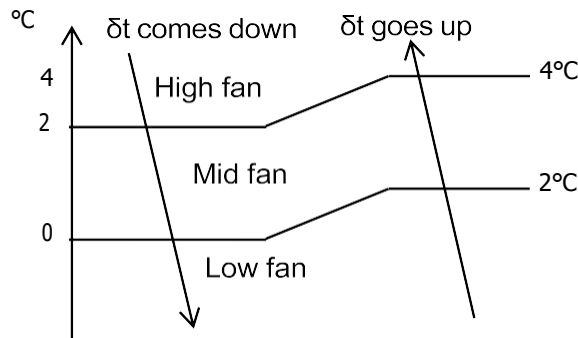
4.2.5 Fan mode

4.2.5.1. The temperature setting: 16~31°C(61-88°F),

Fan speed and vane position: as preset. The function for remote controller 58E only.

4.2.5.2. For above function, when unit preset to auto fan mode, the fan motor will change its operation speed based on the temperature difference of ambient and preset temperature.

4.2.5.3. ODU always OFF.



4.2.6 Timer

The unit has times control, when the unit meet the timer preset, it will be switched on or off automatically.

5.2.6.1 TIMER ON

- 1). TIMER ON can be set only when the air conditioner is OFF.
- 2). Press TIMER on the remote control ONCE to enter time setting.
- 3). Press "▲" or "▼" to set the time for unit to start working.
- 4). Set other function as MODE, FAN SPEED, SWING etc.
- 5). Press TIMER ONCE AGAIN to confirm the TIME ON setting

5.2.6.2 TIMER OFF

- 1). TIMER OFF can be set only when the air conditioner is ON.
- 2). Press TIMER on the remote control ONCE to enter time setting.
- 3). Press "▲" or "▼" to set the time for unit to stop working.
- 4). Press TIMER ONCE AGAIN to confirm the TIME OFF setting

Note: In case of no selection for the time setting within 10s, the timer function will be OFF automatically.

4.2.7 Sleeping mode

While AC works in sleeping mode, the light of POWER SUPPLY and SLEEP always ON, and the temperature display will be OFF after 15s.

In this mode, the AC unit works according to the SLEEP CURVE as designed.

Sleeping mode the unit can work 10 hours continuously, after that it will quit from this mode and work as previous presetting.

4.2.8 Emergency switch

When the EMERGENCY switch is pressed one time, COOLING mode is selected and if it pressed again within 3s, HEATING mode selected, while press once again, the unit will be switched off.

When the remote controller out of function, batteries lost power, for example, the EMERGENCY button in the front of indoor unit can be used for function test.

NOTE: Do not press the EMERGENCY switch during normal operation.

4.2.9 Auto-restart function

While air conditioner is operating in one mode, all of its operation data, such as working mode, preset temperature etc. would be memorized into IC by main PCB. If power supply cut off due to reasons and recover again, the AUTO-RESTART function will set synchronously and the air conditioner would work at the same mode as before.

Note: The function setting:

Within 3 min while power on unit, set the unit on cooling mode, set temperature 30°C, and mid fan speed, press the ECO button 10 times within 8s, the AUTO-RESTART will be activated.

4.2.10 Over heat protection for Heating mode

1). If:

- a. $IPT \geq 62^{\circ}\text{C}$, compressor and ODU Fan stop working for over heat protection.
- b. $IPT \geq 54^{\circ}\text{C}$, ODU Fan stops working. IDU fan motor and compressor keeps original state.

2). When $IPT \leq 48^{\circ}\text{C}$, the compressor and ODU Fan restart works to quit overheat protection.

3). If unit have 6 times Overheat Stop-working Protection continuously, or tested $IPT \geq 62^{\circ}\text{C}$ for 3mins continuously while compressor stop working, this protection can't be recovered unless press ON/OFF button, and unit will show failure code "P7".

Note:

In the process of operation, once the compressor runs continuously more than 6 min, the counter of overheat stop-working protection will be reset to zero and start a new counting process.

The failure and times for protection will eliminate immediately once the unit to be switched off, on fan mode or changed to be heating mode from others.

4.2.11 Complementary

5.2.11.1 Energy saving (ECO)

Function effective on Cooling and Heating mode only.

On cooling mode, the set temperature range from $26^{\circ}\text{C}(79^{\circ}\text{F})$ to $31^{\circ}\text{C}(88^{\circ}\text{F})$.

on heating mode, from $16^{\circ}\text{C}(61^{\circ}\text{F})$ to $25^{\circ}\text{C}(77^{\circ}\text{F})$.

5.2.11.2 TURBO

Function effective on Cooling, Heating, Fan and Auto modes, and fan speed operates on highest.

4.2.12 Calibration Test Mode:

Within 3 min while indoor unit switch on, and set the unit as:

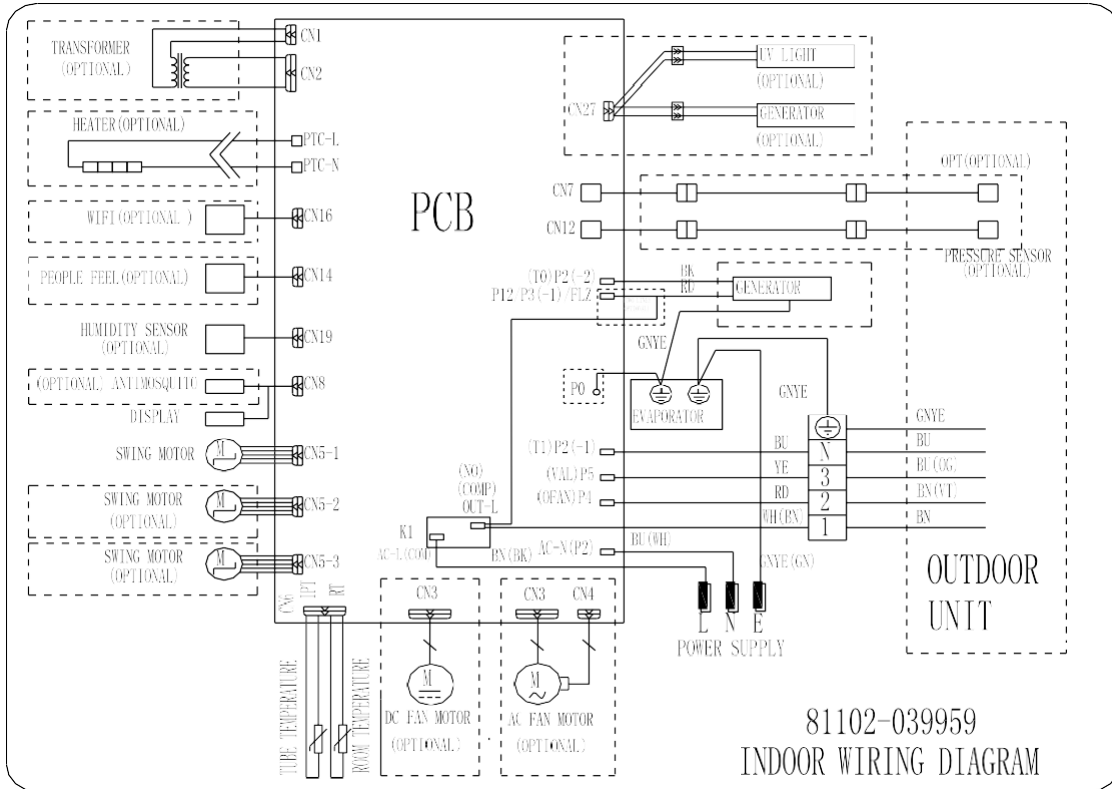
- 1) Cooling mode.
- 2) set temperature to 30°C .
- 3) Mid-fan speed.

by press ECO button 7 times within 8s, the unit will change to calibration test mode, and the buzzer sounds 3 times.

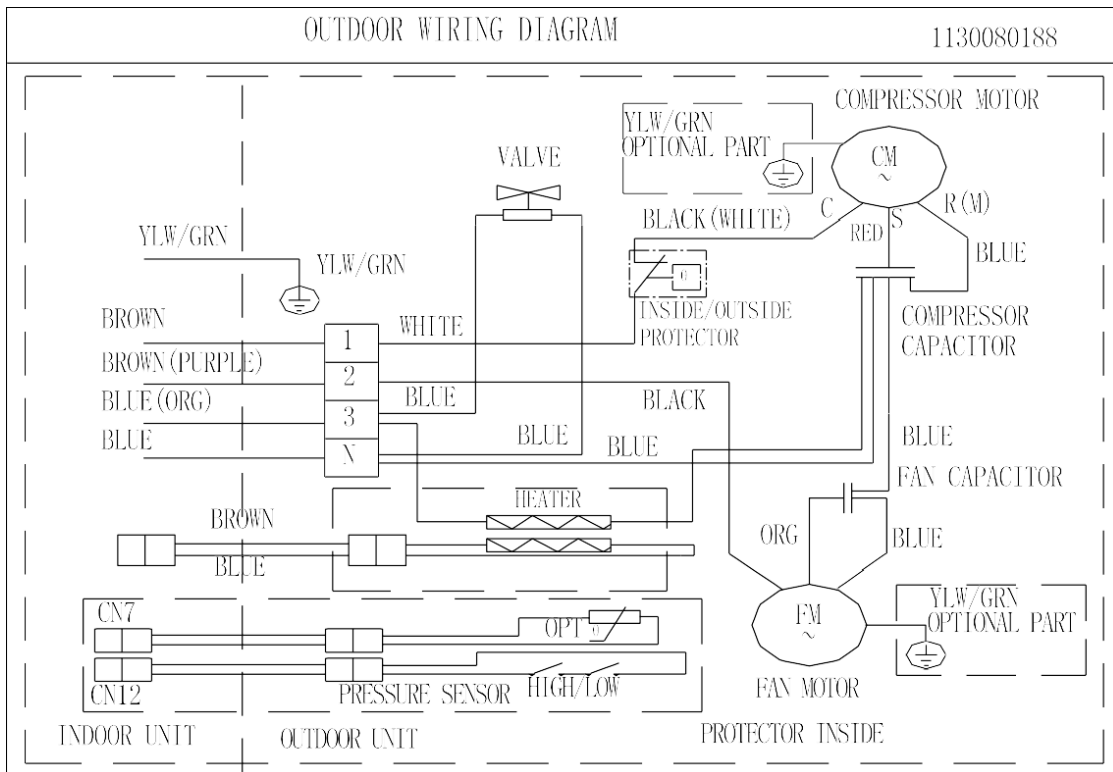
5. WIRING DIAGRAM

MODEL: RC-PD22HN, RC-PD28HN, RC-PD35HN, RC-PD55HN

INDOOR UNIT:

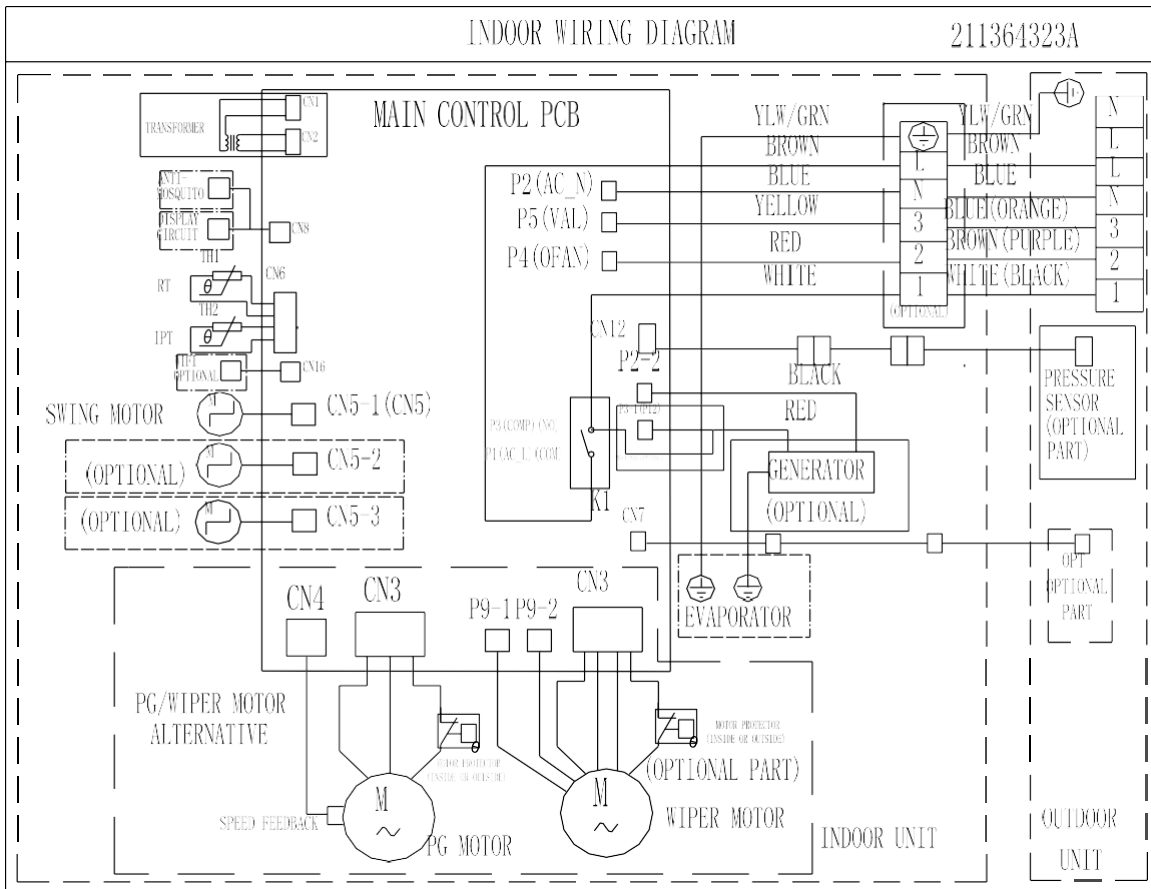


OUTDOOR UNIT

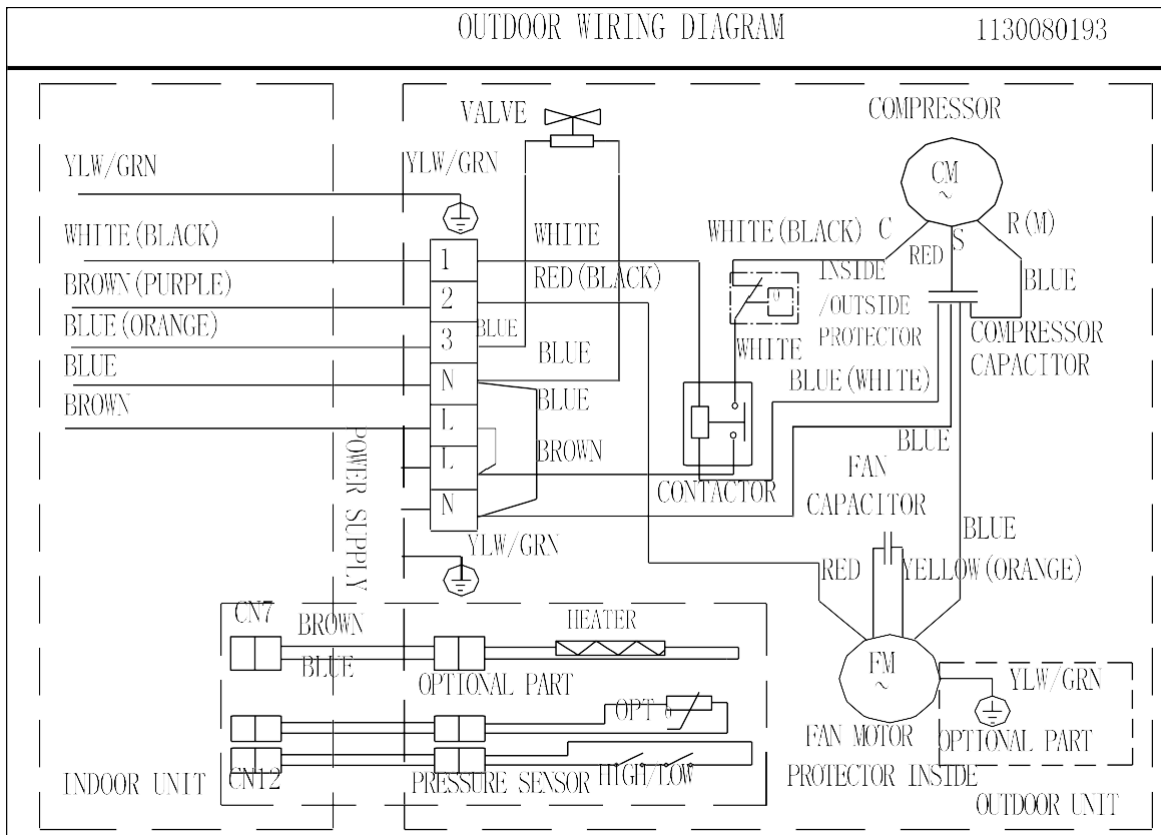


MODEL: RC-PD70HN

INDOOR UNIT:

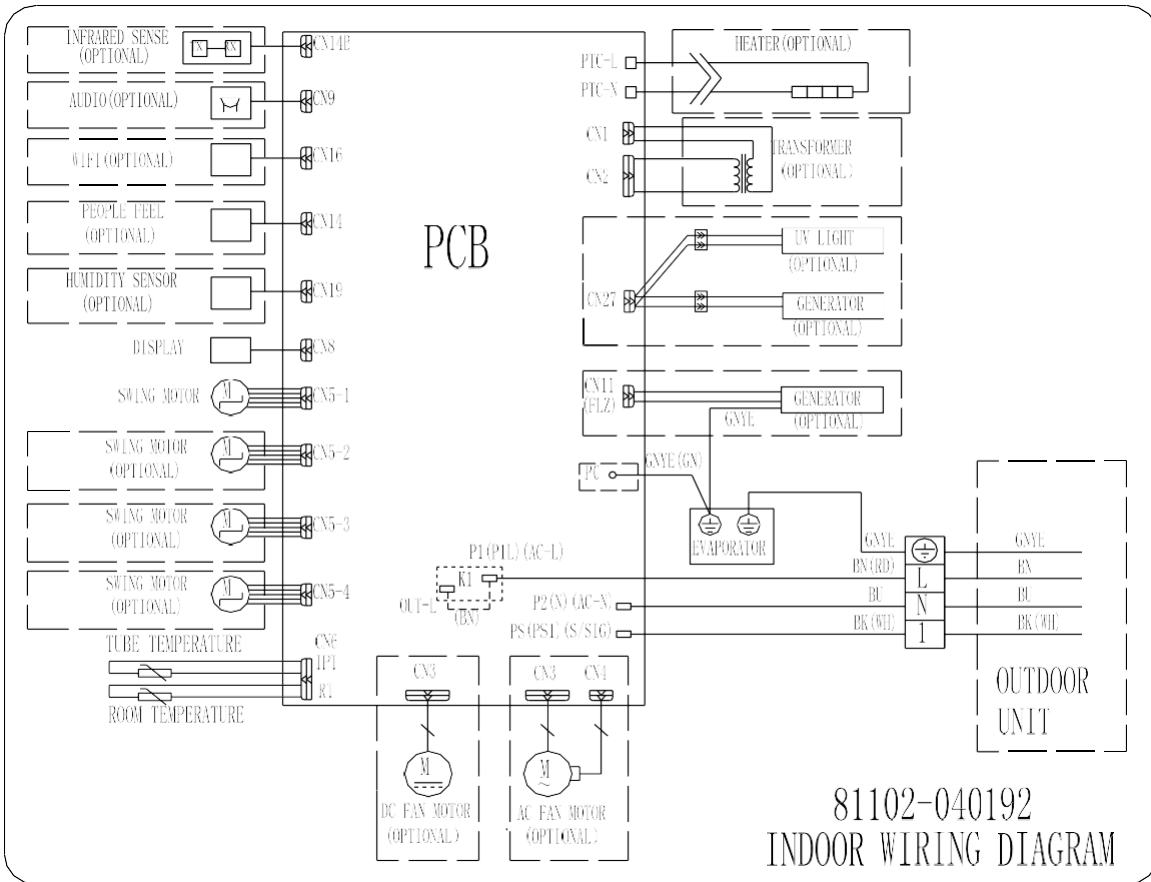


OUTDOOR UNIT

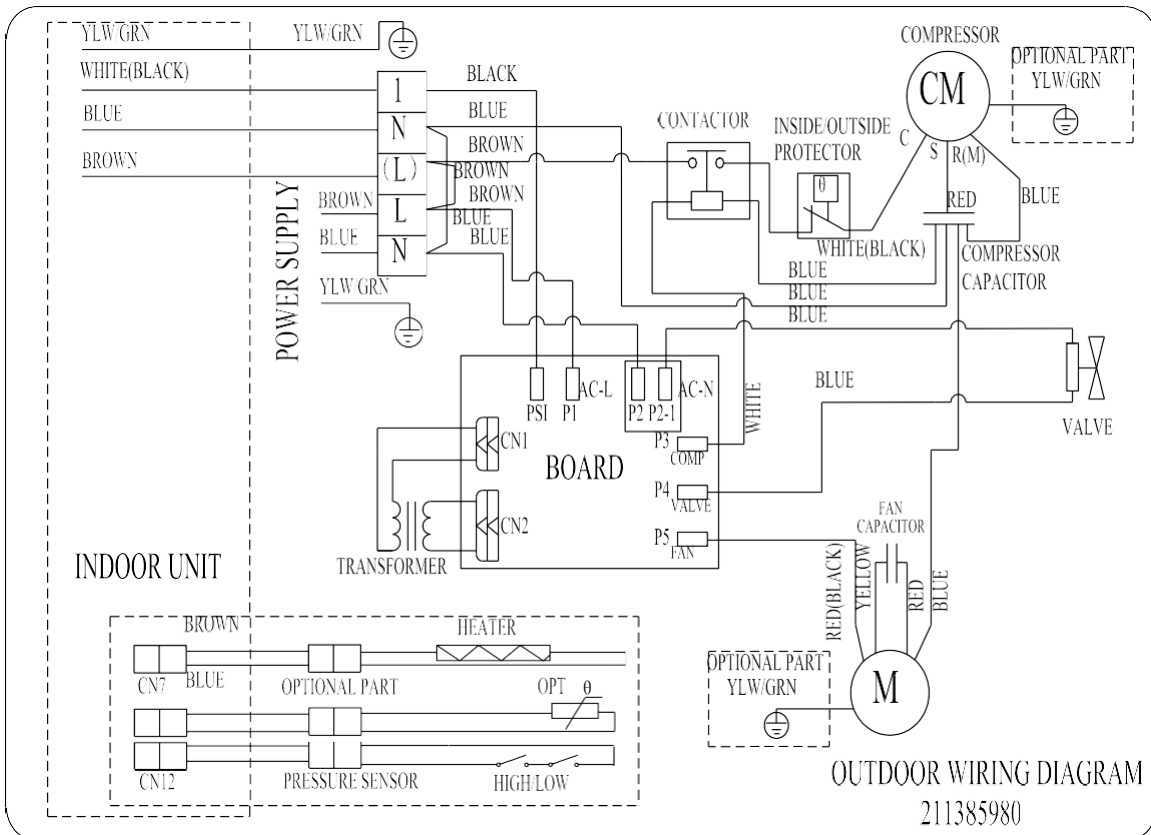


MODEL: RC-PD95HN

INDOOR UNIT:

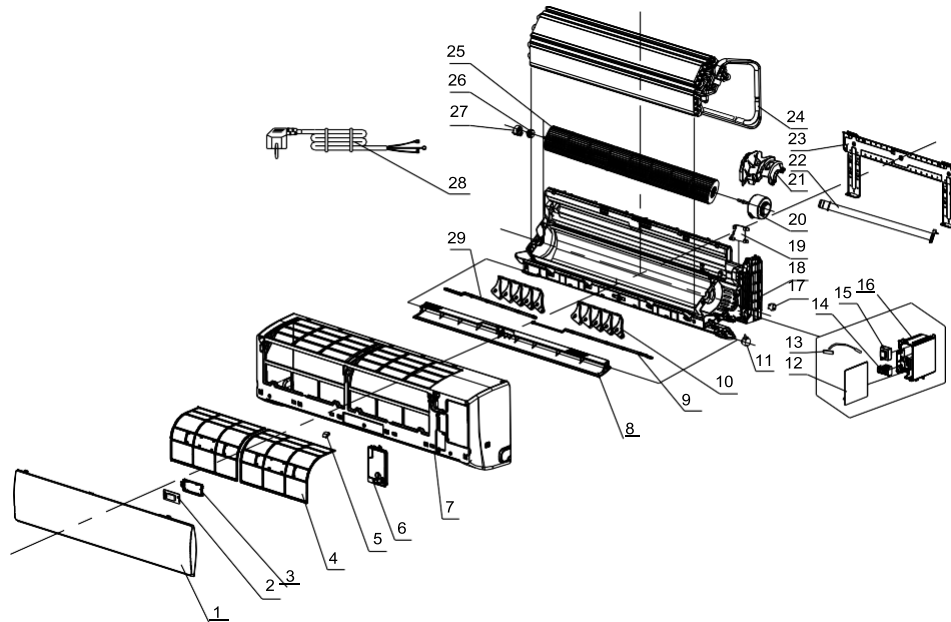


OUTDOOR UNIT



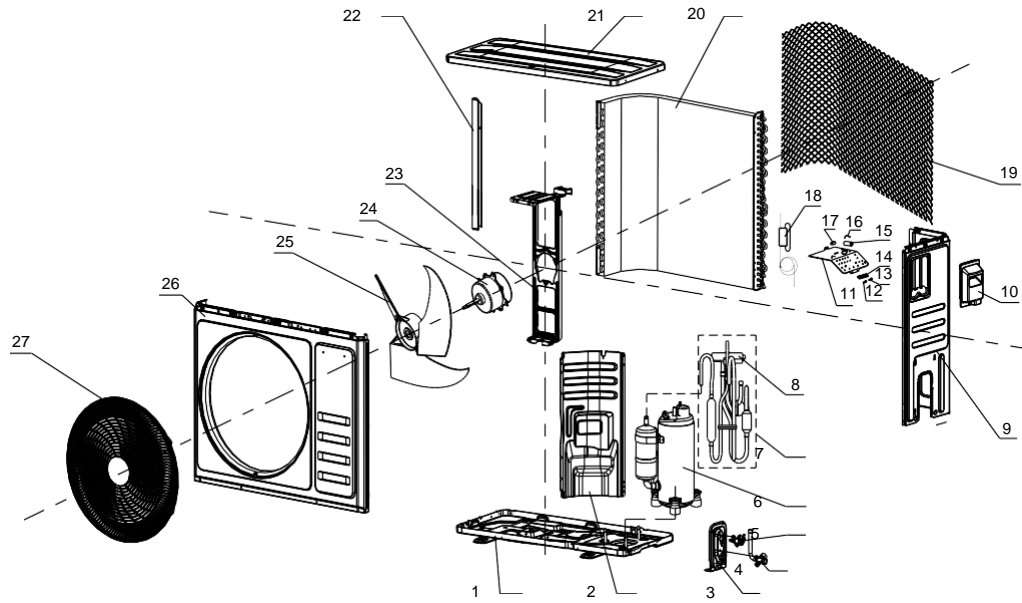
6. EXPLOSION VIEW AND PARTS

Indoor Unit- RC-PD22HN/IN



No.	Part No.	Part Name	Q'ty	Remark
1	41106-004295	Front Panel	1	
2	31102-000084	Display PCB	1	
3	42003-000014	Display PCB Box	1	
4	42008-000114	Air Filter	2	
5	41108-000102	Screw Cover	1	
6	41105-000146	Electrical Box Cover	1	
7	41106-002383	Face Frame	1	
8	41103-000122	Vane	1	
9	41101-000116	Right Vertical Vane Supporter	1	
10	41101-000034	Vertical Vane Assembly	2	
11	22001-000313	Vane Motor	1	
12	31101-001802	Main PCB	1	
13	10104-100014	Indoor Sensor Assembly	1	
14	11304-100023	Terminal	1	
15	10502-100021	Transformer	1	
16	41105-000415	Electrical Box	1	
17	22001-000318	Step Motor	1	
18	41102-000081	Base	1	
19	41101-000243	In And Out Pipe Fixer	1	
20	22001-000273	Indoor Motor	1	
21	42003-000060	Indoor Motor Cover	1	
22	42009-000011	Drainage Hose	1	
23	41109-000047	Installation Plate	1	
24	92011-007511	Evaporator	1	
25	42004-000039	Cross Fan	1	
26	42007-000001	Bearing Mount	1	
27	41101-000251	Bearing Mount holder	1	
28	22007-000015	Power Supply Cord	1	
29	41101-000123	Vertical Vane Connector	1	
30	22013-002314	Remote Controller	1	Not shown in Explosion view
31	A1101-000853	Indoor Carton	1	
32	A2006-000055	Left Foaming	1	
33	A2006-000035	Right Foaming	1	

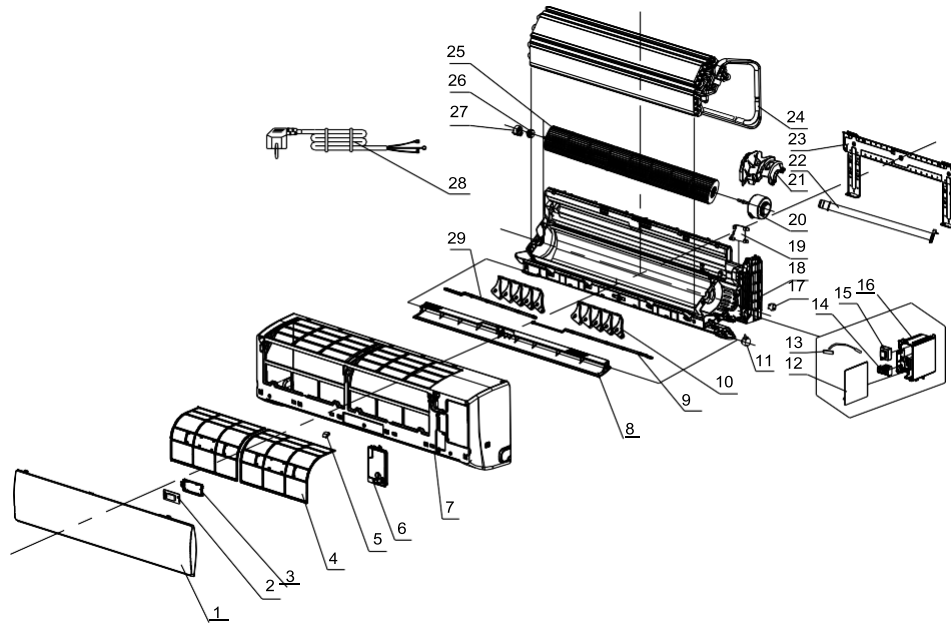
Outdoor Unit- RC-PD22HN/OUT



No.	Part No.	Part Name	Q'ty	Remark
1	41202-000412	Base	1	
2	41208-000225	Partition plate	1	
3	41204-000018	Valve Supporter	1	
4	92007-001041	Three-way Valve	1	
5	92007-007328	Two-way Valve	1	
6	92014-000840	Compressor And It Accessories	1	
7	92007-009577	4-way Valve Assembly	1	
8	92008-000313	4-way Valve	1	
9	41205-000212	Right Plate	1	
10	41201-000029	Electrical Box Cover	1	
11	41214-001174	Electrical Parts Fixing Plate	1	
12	42001-000037	Cable Clamp($\phi 6$)	1	
13	42001-000035	Cable Clamp($\phi 7$)	1	
14	210902378	Terminal	1	
15	22003-000009	Compressor Capacitor	1	
16	42001-000029	Capacitor Strip	1	
17	10303-100020	Fan Motor Capacitor	1	
18	92007-009142	Capillary Assembly	1	
19	N/A	Grille	1	Optional
20	92011-006422	Condenser	1	
21	41207-000047	Top Cover	1	
22	41203-000112	Outdoor Motor Supporter	1	
23	22001-000006	Outdoor Motor	1	
24	42004-000192	Propeller Fan	1	
25	41205-000213	Left Grille Supporter	1	
26	41206-000074	Front Plate	1	
27	42011-000415	Fan Guard	1	
28	A1201-012624	Base Carton	1	Not shown in Explosion view
29	A1201-012623	Cabinet Carton	1	
30	A1202-000084	Base Foaming	1	

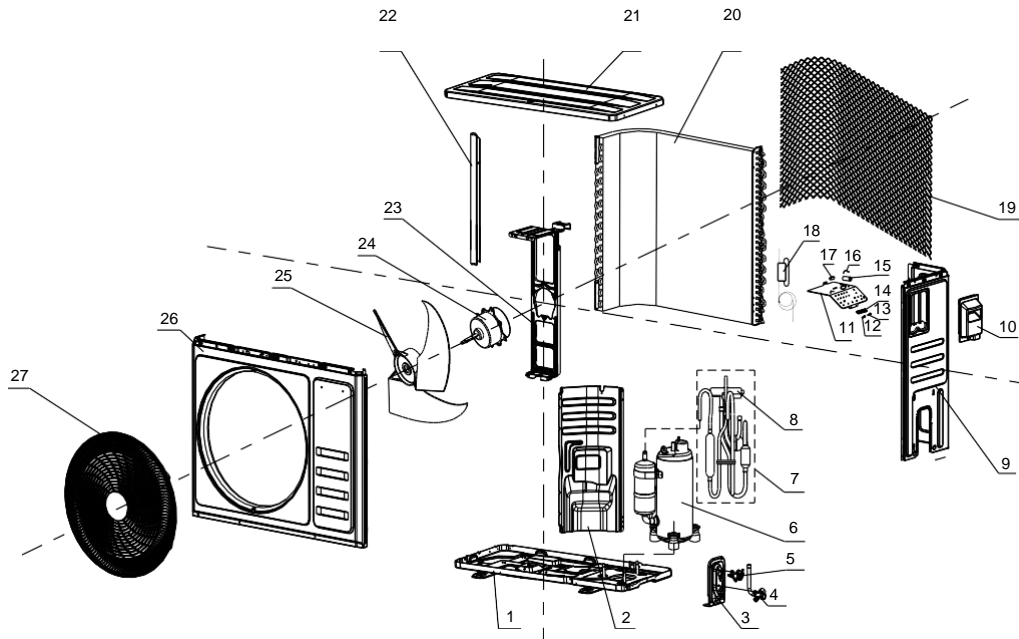
31	A1202-000083	Cover Forming	1
----	--------------	---------------	---

Indoor Unit- RC-PD28HN/IN



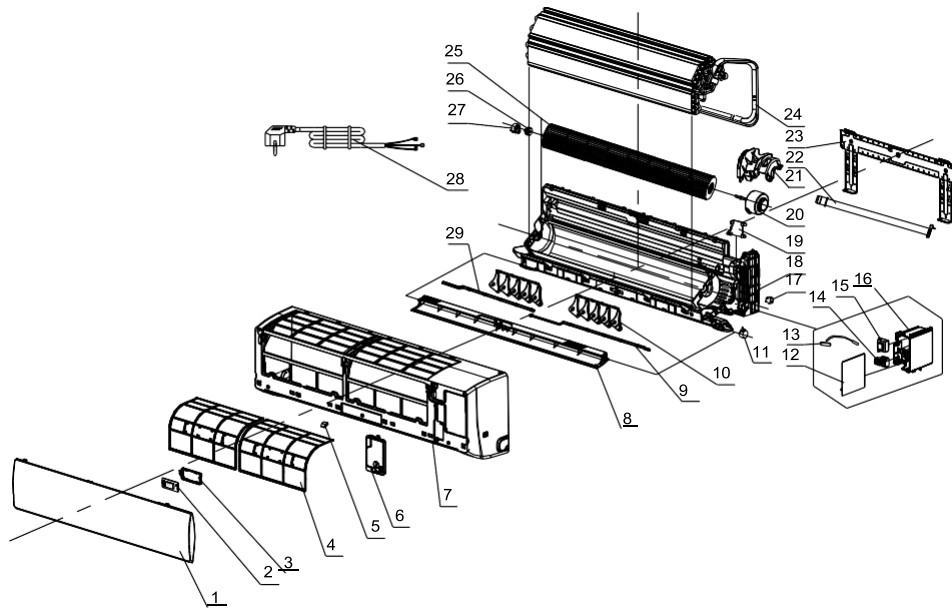
No.	Part No.	Part Name	Q'ty	Remark
1	41106-004295	Front Panel	1	
2	31102-000084	Display PCB	1	
3	42003-000014	Display PCB Box	1	
4	42008-000114	Air Filter	2	
5	41108-000102	Screw Cover	1	
6	41105-000146	Electrical Box Cover	1	
7	41106-002383	Face Frame	1	
8	41103-000122	Vane	1	
9	41101-000116	Right Vertical Vane Supporter	1	
10	41101-000034	Vertical Vane Assembly	2	
11	22001-000313	Vane Motor	1	
12	31101-001802	Main PCB	1	
13	10104-100014	Indoor Sensor Assembly	1	
14	11304-100023	Terminal	1	
15	10502-100021	Transformer	1	
16	41105-000415	Electrical Box	1	
17	22001-000318	Step Motor	1	
18	41102-000081	Base	1	
19	41101-000243	In And Out Pipe Fixer	1	
20	22001-000273	Indoor Motor	1	
21	42003-000060	Indoor Motor Cover	1	
22	42009-000011	Drainage Hose	1	
23	41109-000047	Installation Plate	1	
24	92011-007511	Evaporator	1	
25	42004-000039	Cross Fan	1	
26	42007-000001	Bearing Mount	1	
27	41101-000251	Bearing Mount holder	1	
28	22007-000015	Power Supply Cord	1	
29	41101-000123	Vertical Vane Connector	1	
30	22013-002314	Remote Controller	1	Not shown in Explosion view
31	A1101-000853	Indoor Carton	1	
32	A2006-000055	Left Foaming	1	
33	A2006-000035	Right Foaming	1	

Outdoor Unit- RC-
PD28HN/OUT



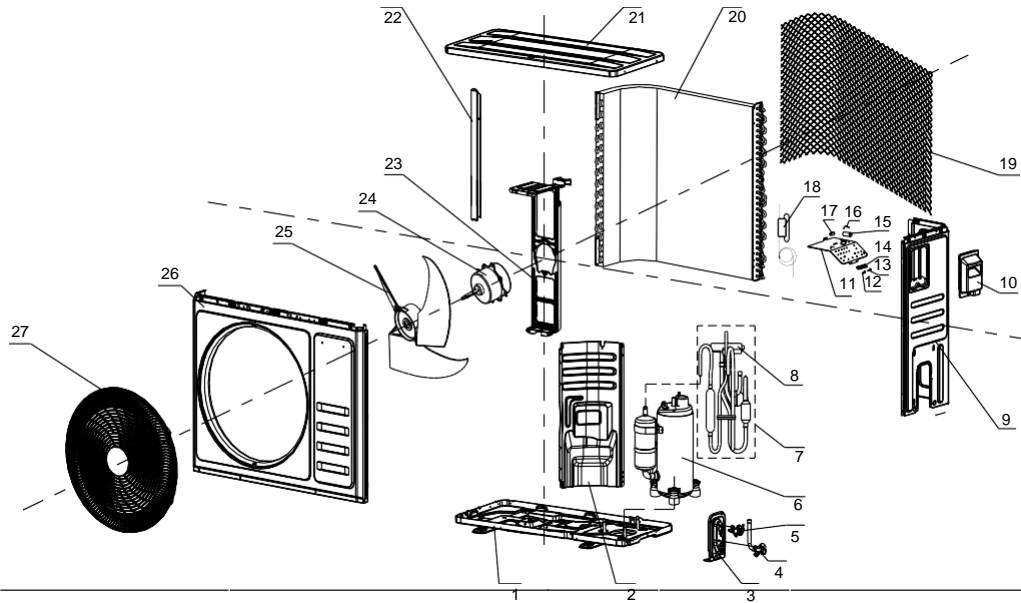
No.	Part No.	Part Name	Q'ty	Remark
1	41202-000412	Base	1	
2	41208-000225	Partition plate	1	
3	41204-000018	Valve Supporter	1	
4	92007-001041	Three-way Valve	1	
5	92007-007328	Two-way Valve	1	
6	92014-000847	Compressor And It Accessories	1	
7	92007-009548	4-way Valve Assembly	1	
8	92008-000313	4-way Valve	1	
9	41205-000212	Right Plate	1	
10	41201-000029	Electrical Box Cover	1	
11	41214-001174	Electrical Parts Fixing Plate	1	
12	42001-000037	Cable Clamp(φ6)	1	
13	42001-000035	Cable Clamp(φ7)	1	
14	210902378	Terminal	1	
15	22003-000009	Compressor Capacitor	1	
16	42001-000029	Capacitor Strip	1	
17	10303-100020	Fan Motor Capacitor	1	
18	92007-009941	Capillary Assembly	1	
19	N/A	Grille	1	Optional
20	92011-006422	Condenser	1	
21	41207-000047	Top Cover	1	
22	41203-000112	Outdoor Motor Supporter	1	
23	22001-000007	Outdoor Motor	1	
24	42004-000192	Propeller Fan	1	
25	41205-000213	Left Grille Supporter	1	
26	41206-000074	Front Plate	1	
27	42011-000415	Fan Guard	1	
28	A1201-012624	Base Carton	1	Not shown in Explosion view
29	A1201-012623	Cabinet Carton	1	
30	A1202-000084	Base Foaming	1	
31	A1202-000083	Cover Forming	1	

Indoor Unit- RC-PD35HN/IN



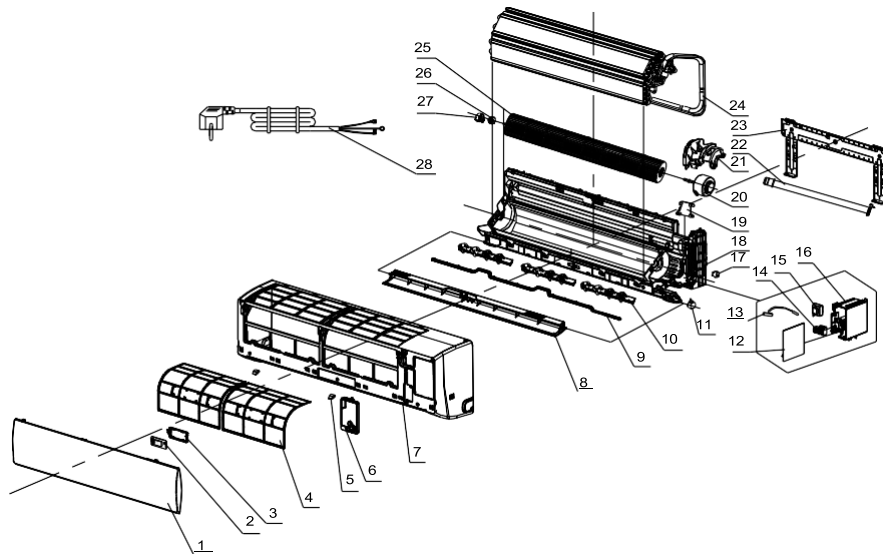
No.	Part No.	Part Name	Q'ty	Remark
1	41106-004295	Front Panel	1	
2	31102-000084	Display PCB	1	
3	42003-000014	Display PCB Box	1	
4	42008-000114	Air Filter	2	
5	41108-000102	Screw Cover	1	
6	41105-000146	Electrical Box Cover	1	
7	41106-002383	Face Frame	1	
8	41103-000122	Vane	1	
9	41101-000116	Right Vertical Vane Supporter	1	
10	41101-000034	Vertical Vane Assembly	2	
11	22001-000313	Vane Motor	1	
12	31101-001804	Main PCB	1	
13	10104-100014	Indoor Sensor Assembly	1	
14	11304-100023	Terminal	1	
15	10502-100021	Transformer	1	
16	41105-000415	Electrical Box	1	
17	22001-000318	Step Motor	1	
18	41102-000081	Base	1	
19	41101-000243	In And Out Pipe Fixer	1	
20	22001-000273	Indoor Motor	1	
21	42003-000060	Indoor Motor Cover	1	
22	42009-000011	Drainage Hose	1	
23	41109-000047	Installation Plate	1	
24	92011-003194	Evaporator	1	
25	42004-000039	Cross Fan	1	
26	42007-000001	Bearing Mount	1	
27	41101-000251	Bearing Mount holder	1	
28	22007-000015	Power Supply Cord	1	
29	41101-000123	Vertical Vane Connector	1	
30	22013-002314	Remote Controller	1	Not shown in Explosion view
31	A1101-000853	Indoor Carton	1	
32	A2006-000055	Left Foaming	1	
33	A2006-000035	Right Foaming	1	

Outdoor Unit- RC-PD35HN/OUT



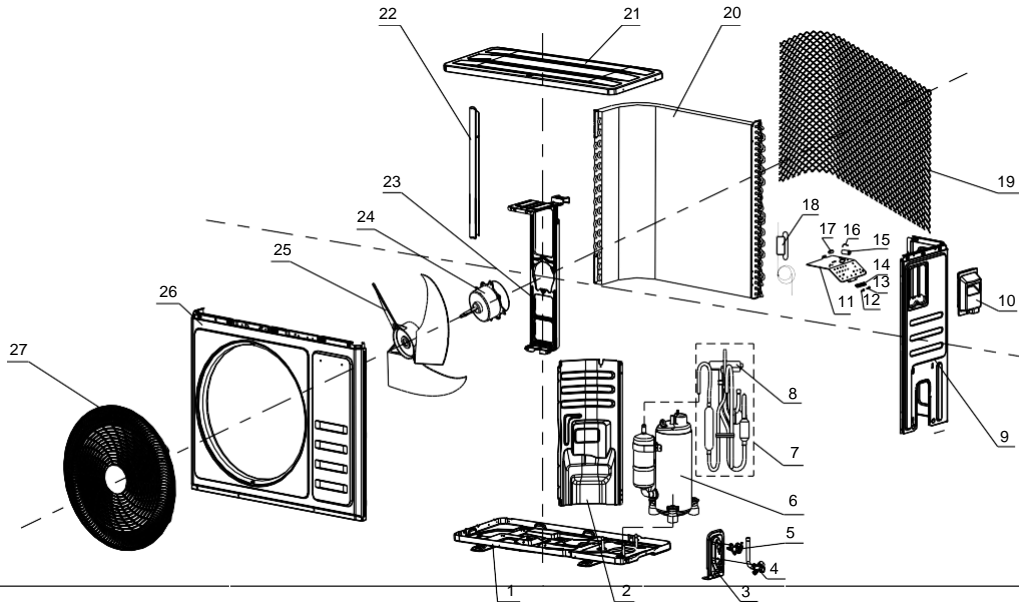
No.	Part No.	Part Name	Q'ty	Remark
1	41202-000177	Base	1	
2	41208-000139	Partition plate	1	
3	41204-000018	Valve Supporter	1	
4	92007-001041	Three-way Valve	1	
5	92007-007317	Two-way Valve	1	
6	92014-000827	Compressor And It Accessories	1	
7	92007-009536	4-way Valve Assembly	1	
8	92008-000308	4-way Valve	1	
9	41205-000206	Right Plate	1	
10	41201-000029	Electrical Box Cover	1	
11	41214-000194	Electrical Parts Box	1	
12	42001-000037	Cable Clamp(φ6)	1	
13	42001-000035	Cable Clamp(φ7)	1	
14	11304-100007	Terminal	1	
15	22003-000028	Compressor Capacitor	1	
16	42001-000030	Capacitor Strip	1	
17	10303-100015	Fan Motor Capacitor	1	
18	92007-009941	Capillary Assembly	1	
19	42011-000184	Grille	1	Optional
20	92011-007734	Condenser	1	
21	41207-000029	Top Cover	1	
22	41205-000133	Left Grille Supporter	1	
23	41203-000054	Outdoor Motor Supporter	1	
24	22001-000009	Outdoor Motor	1	
25	42004-000107	Propeller Fan	1	
26	41206-000054	Front Plate	1	
27	42011-000088	Fan Guard	1	
28	A2005-000523	Base Carton	1	Not shown in Explosion view
29	A1201-003463	Cabinet Carton	1	
30	A1202-000031	Base Foaming	1	
31	41213-000023	Cover Forming	1	

Indoor Unit- RC-PD55HN/IN



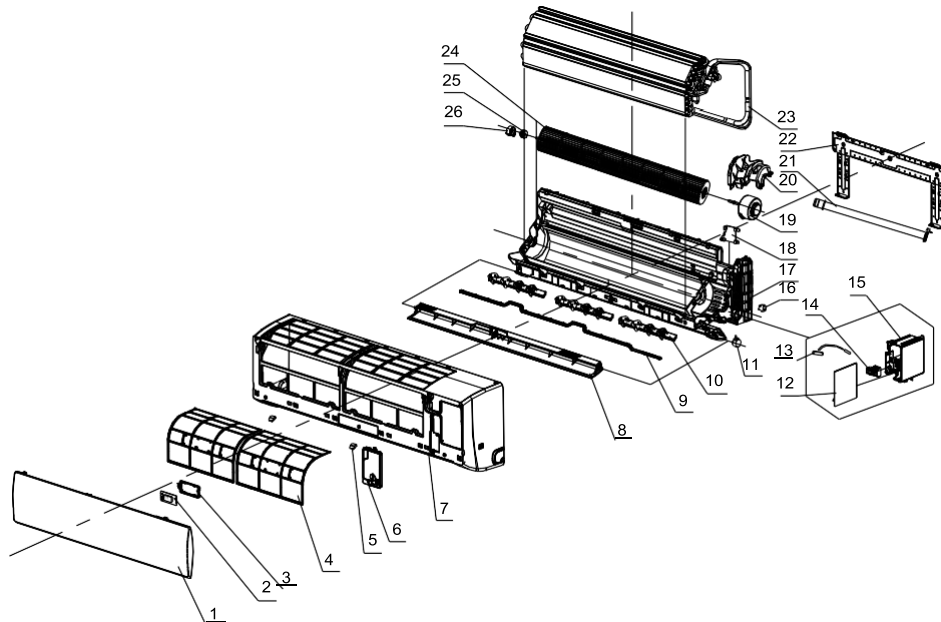
No.	Part No.	Part Name	Q'ty	Remark
1	41106-001684	Front Panel	1	
2	31102-000084	Display PCB	1	
3	42003-000014	Display PCB Box	1	
4	42008-000085	Air Filter	2	
5	41108-000106	Screw Cover	3	
6	41105-000146	Electrical Box Cover	1	
7	41106-002388	Face Frame	1	
8	41103-000160	Vane	1	
9	41507-000082	Vertical Vane Connector	1	
10	41101-000078	Vertical Vane Assembly	3	
11	22001-000321	Vane Motor	1	
12	31101-000644	Main PCB	1	
13	10104-100014	Indoor Sensor Assembly	1	
14	11304-100023	Terminal	1	
15	10502-100021	Transformer	1	
16	41105-000366	Electrical Box	1	
17	22001-000318	Step Motor	1	
18	41102-000062	Base	1	
19	41101-000239	In And Out Pipe Fixer	1	
20	22001-000252	Indoor Motor	1	
21	41108-000007	Indoor Motor Cover	1	
22	42009-000011	Drainage Hose	1	
23	41109-000018	Installation Plate	1	
24	92011-002694	Evaporator	1	
25	42004-000036	Cross Fan	1	
26	42007-000001	Bearing Mount	1	
27	41101-000251	Bearing Mount holder	1	
28	22007-000034	Power Supply Cord	1	
29	22013-000237	Remote Controller	1	Not shown in Explosion view
30	A1101-000004	Indoor Carton	1	
31	A2006-000053	Left Foaming	1	
32	A2006-000034	Right Foaming	1	

Outdoor Unit- RC-PD55HN/OUT



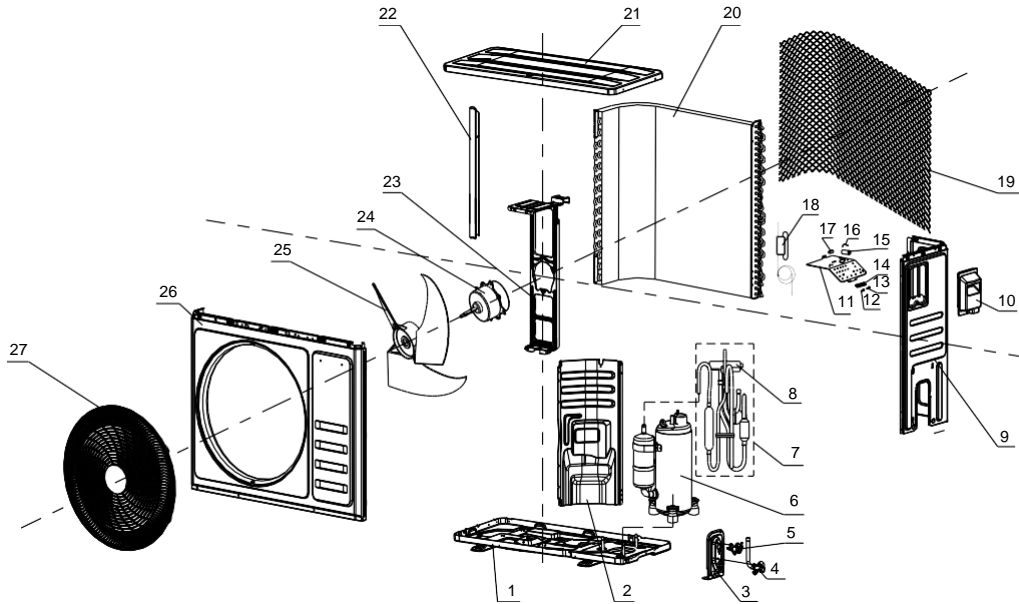
No.	Part No.	Part Name	Q'ty	Remark
1	41202-000250	Base	1	
2	41208-000158	Partition plate	1	
3	41204-000018	Valve Supporter	1	
4	92007-001066	Three-way Valve	1	
5	92007-001046	Two-way Valve	1	
6	92014-000171	Compressor	1	
7	92007-005870	4-way Valve Assembly	1	
8	92008-000193	4-way Valve	1	
9	41205-000084	Right Plate	1	
10	41201-000029	Electrical Box Cover	1	
11	41214-000342	Electrical Parts Plate	1	
12	42001-000037	Cable Clamp(φ6)	1	
13	42001-000038	Cable Clamp(φ10)	1	
14	11304-100007	Terminal	1	
15	22003-000007	Compressor Capacitor	1	
16	42001-000030	Capacitor Strip	1	
17	10303-100021	Fan Motor Capacitor	1	
18	92007-014983	Capillary Assembly	1	
19	42011-000168	Back Grille	1	Optional
20	92011-008392	Condenser	1	
21	41207-000033	Top Cover	1	
22	41205-000130	Left Grille Supporter	1	
23	41203-000052	Outdoor Motor Supporter	1	
24	22001-000089	Outdoor Motor	1	
25	42004-000104	Propeller Fan	1	
26	41206-000055	Front Plate	1	
27	42011-000081	Fan Guard	1	
28	A2005-000540	Base Carton	1	Not shown in Explosion view.
29	A1201-000396	Cabinet Carton	1	
30	A1202-000026	Base Foaming	1	
31	41213-000019	Cover Forming	1	

Indoor Unit- RC-PD70HN/IN



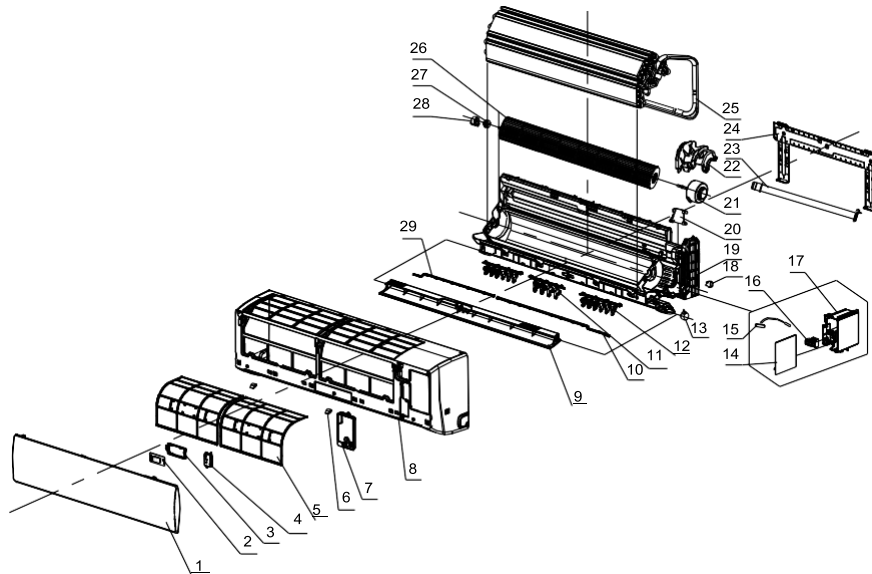
No.	Part No.	Part Name	Q'ty	Remark
1	41106-001688	Front Panel	1	
2	31102-000084	Display PCB	1	
3	42003-000014	Display PCB Box	1	
4	42008-000091	Air Filter	2	
5	41108-000106	Screw Cover	2	
6	41105-000146	Electrical Box Cover	1	
7	41106-002413	Face Frame	1	
8	41103-000161	Vane	1	
9	41507-000065	Vertical Vane Connector	1	
10	41101-000079	Vertical Vane Assembly	3	
11	22001-000321	Vane Motor	1	
12	31101-001116	Main PCB	1	
13	10104-100014	Indoor Sensor Assembly	1	
14	11304-100025	Terminal	1	
15	41105-000104	Electrical Box	1	
16	22001-000318	Step Motor	1	
17	41102-000058	Base	1	
18	41101-000240	In And Out Pipe Fixer	1	
19	22001-000240	Indoor Motor	1	
20	41108-000009	Indoor Motor Cover	1	
21	42009-000011	Drainage Hose	1	
22	41109-000037	Installation Plate	1	
23	92011-003198	Evaporator	1	
24	42004-000213	Cross Fan	1	
25	42007-000001	Bearing Mount	1	
26	41101-000251	Bearing Mount Holder	1	
27	22013-000237	Remote Controller	1	Not shown in Explosion view
28	A1101-000005	Indoor Carton	1	
29	A2006-000054	Left Foaming	1	
30	A2006-000033	Right Foaming	1	

Outdoor Unit- RC-PD70HN/OUT



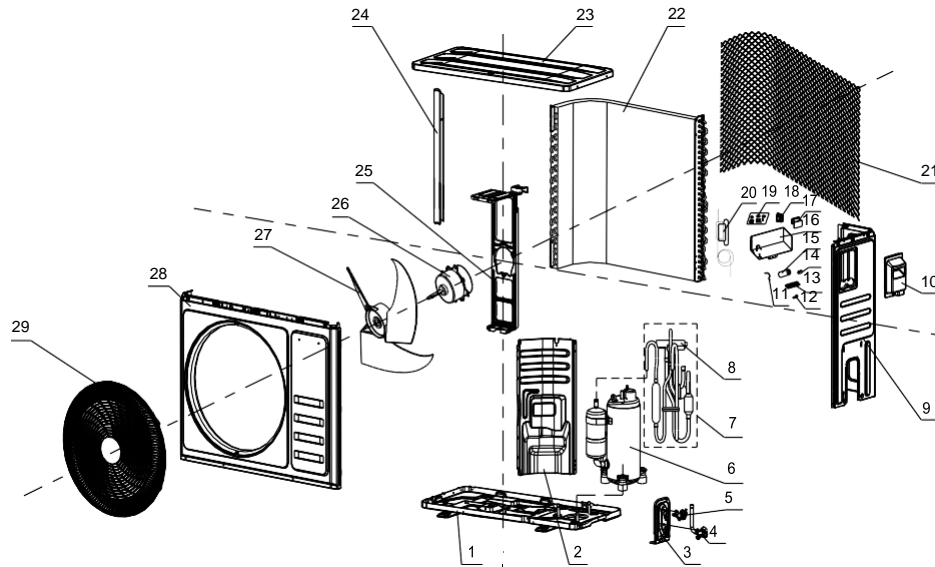
No.	Part No.	Part Name	Q'ty	Remark
1	41202-000222	Base	1	
2	41208-000157	Partition plate	1	
3	41204-000018	Valve Supporter	1	
4	92007-001045	Three-way Valve	1	
5	92008-000024	Two-way Valve	1	
6	92014-000204	Compressor	1	
7	92007-005679	4-way Valve Assembly	1	
8	92008-000193	4-way Valve	1	
9	41205-000074	Right Plate	1	
10	41201-000029	Electrical Box Cover	1	
11	41211-000053	Electrical Parts Fixing Plate	1	
12	42001-000106	Cable Clamp	1	
14	11304-100010	Terminal	1	
15	22003-000008	Compressor Capacitor	1	
16	42001-000030	Capacitor Strip	1	
17	10303-100021	Fan Motor Capacitor	1	
18	22008-000003	AC Contactor	1	
19	92007-005694	Capillary Assembly	1	
20	42011-000187	Grille	1	Optional
21	92011-005162	Condenser	1	
22	41207-000028	Top Cover	1	
23	41205-000135	Left Grille Supporter	1	
24	41203-000049	Outdoor Motor Supporter	1	
25	22001-000088	Outdoor Motor	1	
26	42004-000105	Propeller Fan	1	
27	41206-000047	Front Plate	1	
28	42011-000085	Fan Guard	1	
29	A1201-010761	Cabinet Carton	1	Not shown in Explosion view
30	41110-000204	Upper Foaming	1	
31	A1202-000030	Base Forming	1	
32	A1201-010791	Base Carton	1	

Indoor Unit- RC-PD95HN/IN



No.	Part No.	Part Name	Q'ty	Remark
1	41106-001686	Front Panel	1	
2	31102-000084	Display PCB	1	
3	42003-000014	Display PCB Box	1	
4	32001-000096	WIFI PCB	1	
5	42008-000160	Air Filter	2	
6	41108-000102	Screw Cover	2	
7	41211-000079	Electrical Box Cover	1	
8	41106-002377	Face Frame	1	
9	41103-000248	Vane	1	
10	41101-000109	Right Vertical Vane Connector	1	
11	41507-000100	Vertical Vane Assembly1	2	
12	41507-000102	Vertical Vane Assembly2	1	
13	22001-000360	Vane Motor	1	
14	31101-000596	Main PCB	1	
15	10104-100014	Indoor Sensor Assembly	1	
16	11304-100028	Terminal	1	
17	41105-000134	Electrical Box	1	
18	22001-000318	Step Motor	1	
19	41102-000380	Base	1	
20	41101-000246	In And Out Pipe Fixer	1	
21	22001-000274	Indoor Motor	1	
22	41108-000014	Indoor Motor Cover	1	
23	42009-000011	Drainage Hose	1	
24	41109-000045	Installation Plate	1	
25	92011-004789	Evaporator	1	
26	42004-000052	Cross Fan	1	
27	42007-000001	Bearing Mount	1	
28	41101-000250	Bearing Mount Holder	1	
29	41101-000108	Left Vertical Vane Connector	1	
30	22013-000781	Remote Controller	1	Not shown in Explosion view
31	A1101-000714	Indoor Carton	1	
32	A2006-000051	Left Foaming	1	
33	A2006-000031	Right Foaming	1	

Outdoor Unit- RC-PD95HN/OUT



No.	Part No.	Part Name	Q'ty	Remark
1	41202-000365	Base	1	
2	41208-000169	Partition plate	1	
3	41204-000011	Valve Supporter	1	
4	92008-000119	Three-way Valve	1	
5	92007-005293	Two-way Valve	1	
6	92014-000279	Compressor And It Accessories	1	
7	92007-005777	4-way Valve Assembly	1	
8	92008-000212	4-way Valve	1	
9	41205-000055	Right Plate	1	
10	41201-000005	Electrical Box Cover	1	
11	42001-000032	Capacitor Strip	1	
12	42001-000106	Cable Clamp	1	
13	11304-100004	Terminal	1	
14	10303-100016	Fan Capacitor	1	
15	22003-000031	Compressor Capacitor	1	
16	31401-000009	Electrical Parts Box	1	
17	22008-000003	AC Contactor	1	
18	10502-100038	Transformer	1	
19	31401-000009	Outdoor PCB	1	
20	92007-006057	Capillary Assembly	1	
21	42011-000166	Grille	1	Optional
22	92011-000754	Condenser	1	
23	41207-000016	Top Cover	1	
24	41205-000125	Left Grille Supporter	1	
25	41203-000030	Outdoor Motor Supporter	1	
26	22001-000028	Outdoor Motor	1	
27	42004-000079	Propeller Fan	1	
28	41206-000029	Front Plate	1	
29	42011-000060	Fan Guard	1	
30	A1201-000302	Cabinet Carton	1	Not show in the explosion
31	A1402-000040	Upper Foaming	1	
32	A1402-000041	Base Foaming	1	
33	A1401-000050	Base Carton	1	

7. Precaution

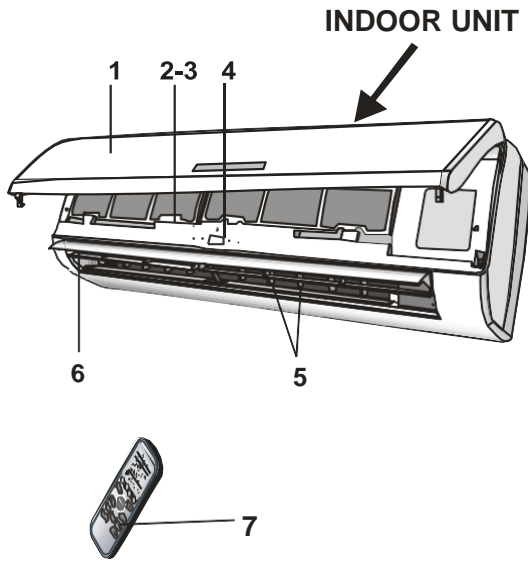
7.1 SAFETY RULES AND RECOMMENDATIONS FOR THE INSTALLATION

- Read this guide before installing and using the appliance.
- During the installation of the indoor and outdoor units the access to the working area should be forbidden to children.
Unforeseeable accidents could happen.
- Make sure that the base of the outdoor unit is firmly fixed.
- Check that air cannot enter the refrigerant system and check for refrigerant leaks when moving the air conditioner.
- Check that air cannot enter the refrigerant system and check for refrigerant leaks when moving the air conditioner.
- The ratings of the fuse installed in the built in-control unit are T 5A / 250V.
- The user must protect the indoor unit with a fuse of suitable capacity for the maximum input current or with another overload protection device.
- Ensure that the mains voltage corresponds to that stamped on the rating plate. Keep the switch or power plug clean. Insert the power plug correctly and firmly into the socket, thereby avoiding the risk of electric shock or fire due to insufficient contact.
- Check that the socket is suitable for the plug, otherwise have the socket changed.
- The appliance must be fitted with means for disconnection from the supply mains having a contact separation in all poles that provide full disconnection under over voltage category III conditions, and these means must be incorporated in the fixed wiring in accordance with the wiring rules.
- The air conditioner must be installed by professional or qualified persons. Do not install the appliance at a distance of less than 50 cm from inflammable substances (alcohol, etc.) Or from pressurized containers (e.g. spray cans).
- If the appliance is used in areas without the possibility of ventilation, precautions must be taken to prevent any leaks of refrigerant gas from remaining in the environment and creating a danger of fire.
- The packaging materials are recyclable and should be disposed of in the separate waste bins. Take the air conditioner at the end of its useful life to a special waste collection center for disposal.
- Only use the air conditioner as instructed in this booklet. These instructions are not intended to cover every possible condition and situation. As with any electrical household appliance, common sense and caution are therefore always recommended for installation, operation and maintenance.
- The appliance must be installed in accordance with applicable national regulations.
- Before accessing the terminals, all the power circuits must be disconnected from the power supply.
- The appliance shall be installed in accordance with national wiring regulations.
This appliance can be used by children aged from 8 years and above and persons with reduced physical, sensory or mental capabilities or lack of experience and knowledge if they have been given supervision or instruction concerning use of the appliance in a safe way and understand the hazards involved. Children shall not play with the appliance. Cleaning and user maintenance shall not be made by children without supervision.

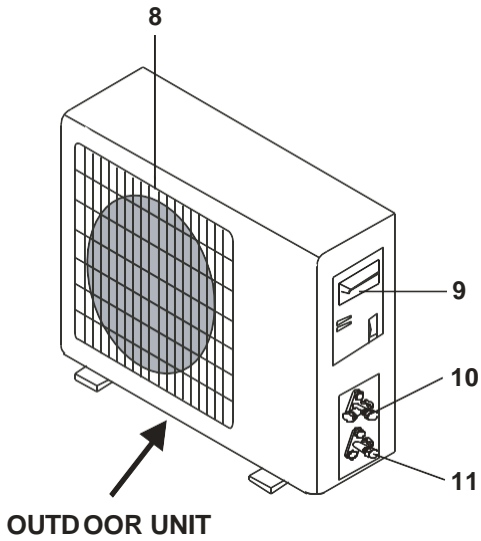
7.2 SAFETY RULES AND RECOMMENDATIONS FOR THE USER

- Do not try to install the conditioner alone; always contact specialized technical personnel. Cleaning and maintenance must be carried out by specialized technical personnel. In any case disconnect the appliance from the mains electricity supply before carrying out any cleaning or maintenance.
- Ensure that the mains voltage corresponds to that stamped on the rating plate. Keep the switch or power plug clean. Insert the power plug correctly and firmly into the socket, thereby avoiding the risk of electric shock or fire due to insufficient contact.
- Do not pull out the plug to switch off the appliance when it is in operation, since this could create a spark and cause a fire, etc.
- This appliance has been made for air conditioning domestic environments and must not be used for any other purpose, such as for drying clothes, cooling food, etc.
- The packaging materials are recyclable and should be disposed of in the separate waste bins. Take the air conditioner at the end of its useful life to a special waste collection center for disposal.
- Always use the appliance with the air filter mounted. The use of the conditioner without air filter could cause an excessive accumulation of dust or waste on the inner parts of the device with possible subsequent failures.
- The user is responsible for having the appliance installed by a qualified technician, who must check that it is earthed in accordance with current legislation and insert a thermomagnetic circuit breaker.
- The batteries in remote controller must be recycled or disposed of properly. Disposal of Scrap Batteries.
--- Please discard the batteries as sorted municipal waste at the accessible collection point.
- Never remain directly exposed to the flow of cold air for a long time. The direct and prolonged exposition to cold air could be dangerous for your health. Particular care should be taken in the rooms where there are children, old or sick people.
- If the appliance gives off smoke or there is a smell of burning, immediately cut off the power supply and contact the Service Centre.
- The prolonged use of the device in such conditions could cause fire or electrocution.
- Have repairs carried out only by an authoritative Service Centre of the manufacturer. Incorrect repair could expose the user to the risk of electric shock, etc.
- Unhook the automatic switch if you foresee not to use the device for a long time. The airflow direction must be properly adjusted.
- The flaps must be directed downwards in the heating mode and upwards in the cooling mode. Only use the air conditioner as instructed in this booklet. These instructions are not intended to cover every possible condition and situation. As with any electrical household appliance, common sense and caution are therefore always recommended for installation, operation and maintenance.

8. Names of parts



Indoor unit	
No.	Name
1	Front panel
2	Air filter
3	Special filter(option)
4	Display PCB
5	Vertical vane
6	Horizontal vane
7	Remote controller



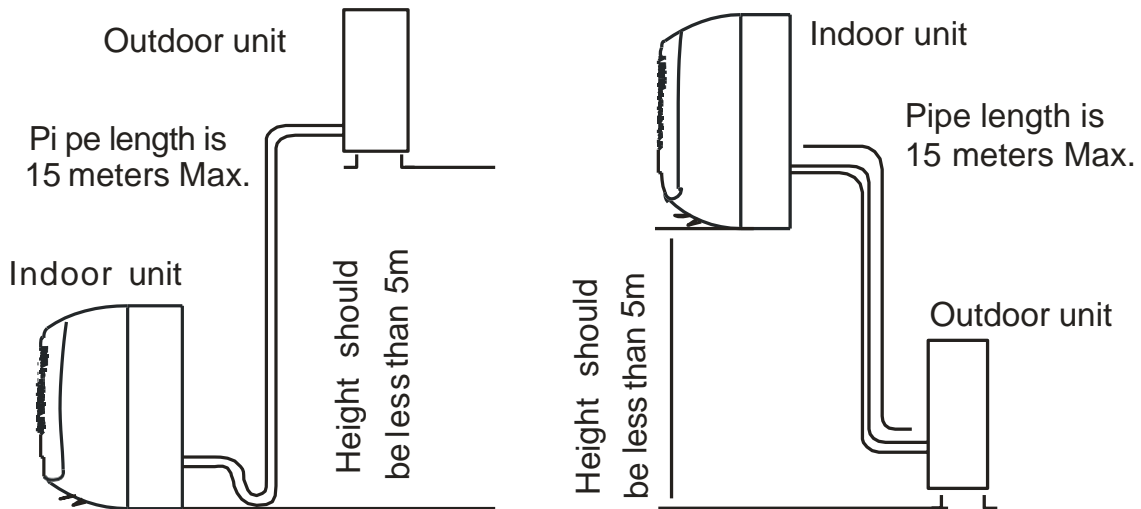
Outdoor unit	
No.	Name
8	Air outlet grille
9	Electronic box cover
10	2-way valve
11	3-way valve

9. Installation manual

9.1 Information for installation

Connecting pipe

Model	Pipe size(Inch)	
	Liquid	Gas
RC-PD22HN	1/4	3/8
RC-PD28HN	1/4	3/8
RC-PD35HN	1/4	3/8
RC-PD55HN	1/4	1/2
RC-PD70HN	1/4	5/8
RC-PD95HN	3/8	5/8



Mode	Standard length: m	Refrigerant piping Max. length: m A	Additional refrigerant Calculation: $B_g=20g/m(A-5m)$ B
RC-PD22HN	3.0	15	20g/m
RC-PD28HN	3.5	15	20g/m
RC-PD35HN	5.0	15	30g/m
RC-PD55HN	5.0	15	30g/m
RC-PD70HN	5.0	15	30g/m
RC-PD95HN	5.0	15	30g/m

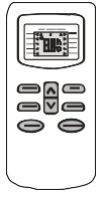




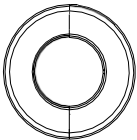

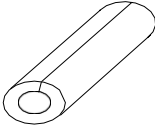
Connecting cables

The power cord should be selected according to the following specifications sheet.

Appliance Amps	Wire Size
5	AWG21/0.75 mm ²
10	AWG18/1.0 mm ²
13	AWG15 /1.5 mm ²
18	AWG14/1.6 mm ²
25	AWG12/2.0 mm ²
30	AWG10/2.5 mm ²

9.2 Installation details

Accessory

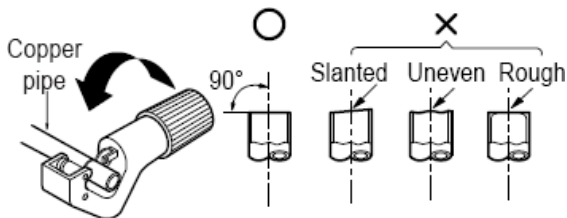
<p>Remote controller</p> 	<p>Remote controller supporter</p> 	<p>Batteries</p> 	<p>Vinyl tape</p> 
<p>Drain hose</p> 	<p>Hole cover</p> 	<p>Screw</p> 	<p>Insulation material</p> 

Flaring work

Main cause for gas leakage is due to defect in flaring work. Carry out correct flaring work in the following procedure.

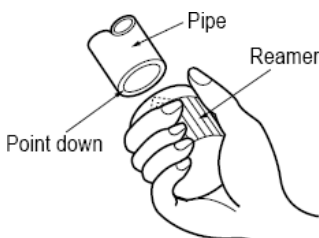
A. Cut the pipes and the cable.

- 1) Use the piping kit accessory or the pipes purchased locally.
- 2) Measure the distance between the indoor and the outdoor unit.
- 3) Cut the pipes a little longer than measured distance.
- 4) Cut the cable 1.5m longer than the pipe length.



B. Burrs removal

- 1) Completely remove all burrs from the cut cross section of pipe/tube.
- 2) Put the end of the copper tube/pipe in a downward direction as you remove burrs in order to avoid dropping burrs into the tubing.

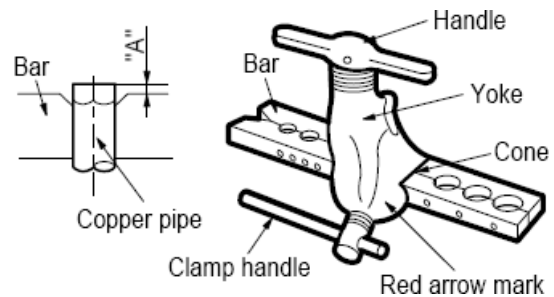


C. Flaring work

- Carry out flaring work using flaring tool as shown below.

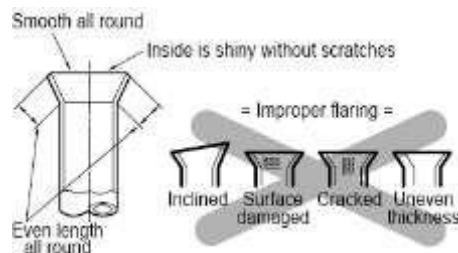
Outside diameter		A
mm	inch	mm
ø6.35	1/4	1.0~1.3
ø9.52	3/8	0.8~1.0
ø12.7	1/2	0.5~0.8
ø15.88	5/8	0.5~0.8

Firmly hold copper pipe in a die in the dimension shown in the table above.



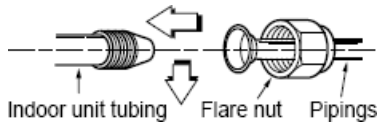
E. Check

- 1) Compare the flared work with figure below.
- 2) If flare is noted to be defective, cut off the flared section and do flaring work again.

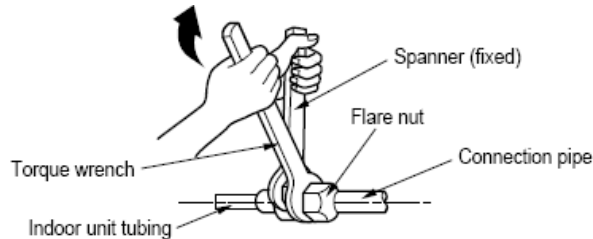


Connecting the piping to the indoor unit and drain hose to drain pipe.

- Align the center of the piping and sufficiently tighten the flare nut by hand.

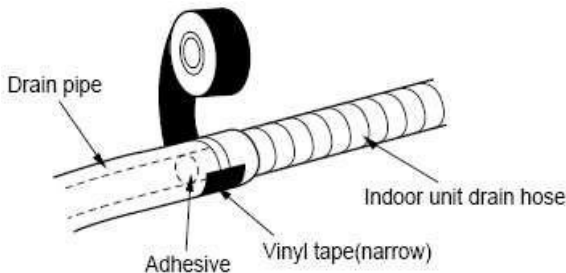


- Tighten the flare nut with a wrench.



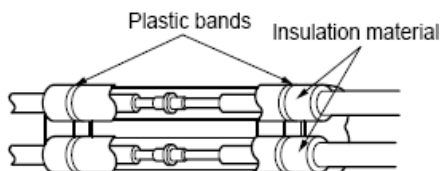
Capacity (Btu/h)	Pipe Size(Torque)	
	GAS	LIQUID
7,9,12K	3/8"(4.2kg.m)	1/4"(1.8kg.m)
18K	1/2"(5.5kg.m)	1/4"(1.8kg.m)
24K	5/8"(6.6kg.m)	1/4"(1.8kg.m)
36K	5/8"(6.6kg.m)	3/8"(4.2kg.m)

- When extending the drain hose at the indoor unit, install the drain pipe.

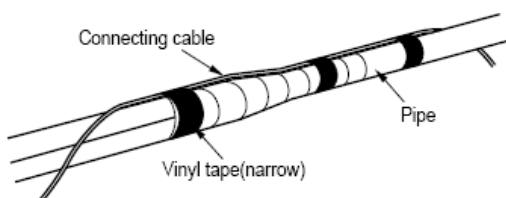


Wrap the insulation material around the connecting portion.

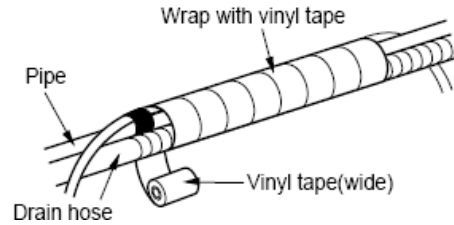
- Overlap the connection pipe insulation material and the indoor unit pipe insulation material. Bind them together with vinyl tape so that there is no gap.



- Wrap the area which accommodates the rear piping housing section with vinyl tape.

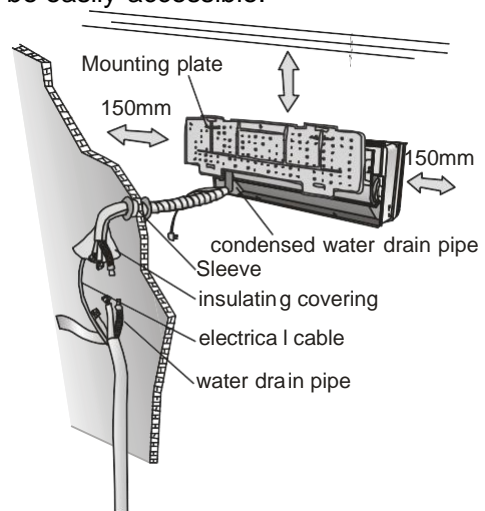


- Bundle the piping and drain hose together by wrapping them with vinyl tape over the range within which they fit into the rear piping housing section.



Indoor unit

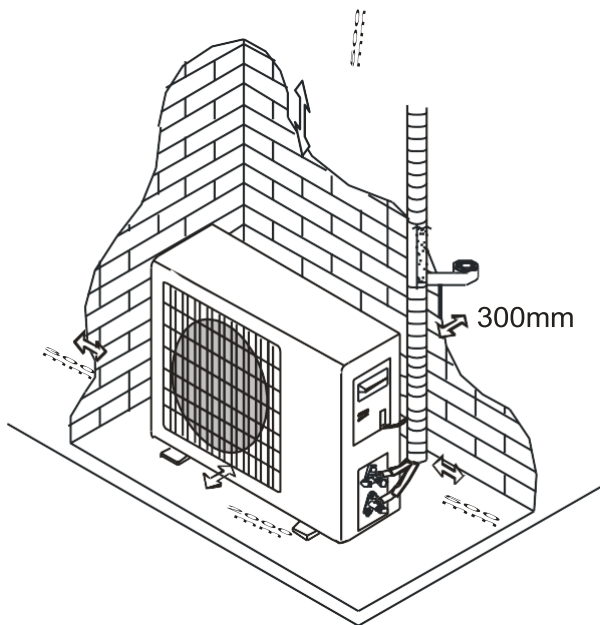
- Install the indoor unit level on a strong wall that is not subject to vibrations
- The inlet and outlet ports should not be obstructed: the air should be able to blow all over the room.
- Do not install the unit near a source of heat, steam or flammable gas.
- Do not install the unit in too windy or dusty places.
- Do not install the unit where people often pass. Select a place where the air discharge and operating sound level will not disturb the neighbors.
- Install the unit where connection between indoor and outdoor unit is as easy as possible.
- Install the unit where it is easy to drain the condensed water.
- Check the machine operation regularly and leave the necessary spaces as shown in the picture.
- Install the indoor unit where the filter can be easily accessible.



OUTDOOR UNIT

- Do not install the outdoor unit near sources of heat, steam or flammable gas.
- Do not install the unit in too windy or dusty places.
- Do not install the unit where people often pass. Select a place where the air discharge and operating sound level will not disturb the neighbors.
- Avoid installing the unit where it will be exposed to direct sunlight (other wise use a protection, if necessary, that should not interfere with the air flow).
- Leave the spaces as shown in the picture for
 - The air to circulate freely.
 - Install the outdoor unit in a safe and solid place.
- If the outdoor unit is subject to vibration, place rubber gaskets onto the feet of the unit.
- Install the indoor unit in the room to be air conditioning, avoiding to installation in corridors or communal areas.
- Install the indoor unit at a height of at least 2.5m from the ground.

Minimum space to be left (mm) showing in the picture.

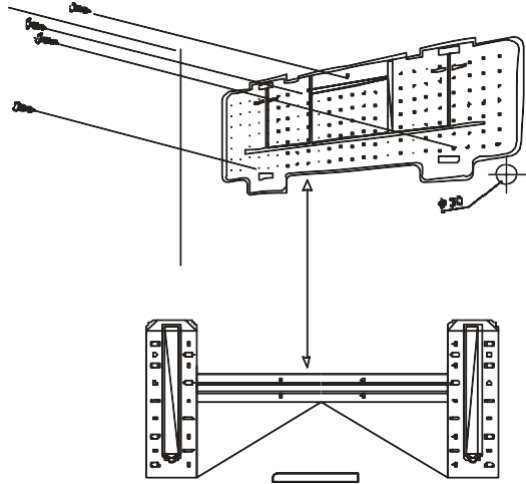


To install, proceed as follows:

9.2.1 Installation of the mounting plate.

- 1) By using a level, put the mounting plate in a perfect square position vertically and horizontally.
- 2) Drill 32mm deep holes in the wall to fix the plate.

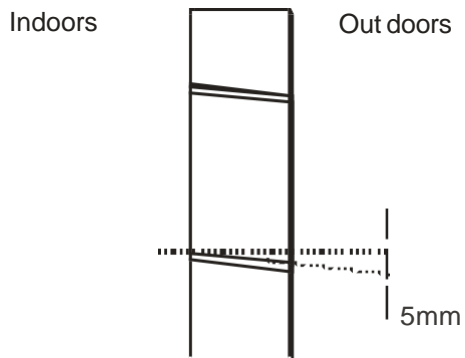
- 3) Insert the plastic anchors into the hole.
- 4) Fix the mounting plate by using the provided tapping screws.
- 5) Check that the mounting plate is correctly fixed.



Note: The shape of the mounting plate may be different from the one above, but installation method is similar.

9.2.2 Drilling a hole in the wall for the piping

- 1) Decide where to drill the hole in the wall for the piping (if necessary) according to the position of the mounting plate
- 2) Install a flexible flange through the hole in the wall to keep the latter intact and clean.



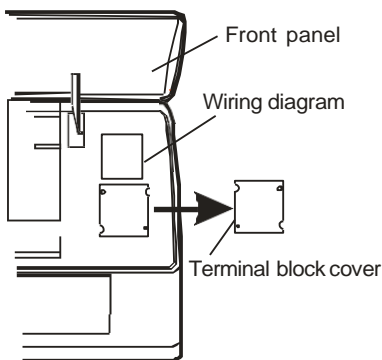
The hole must slope downwards towards the exterior.

Note: Keep the drain pipe down towards the direction of the wall hole, otherwise leakage may occur.

9.2.3 Electrical connections---Indoor unit

- 1).Lift the front panel.
- 2).Take off the cover as indicated in the picture (by removing a screw or by breaking the hooks).
- 3).For the electrical connections, see the circuit diagram on the right part of the unit under the front panel.

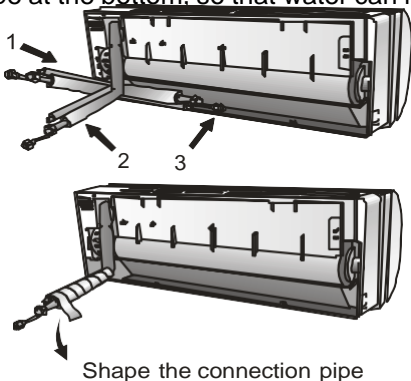
- 4). Connect the cable wires to the screw terminals by following the numbering, Use wire size suitable to the electric power input (see name plate on the unit) and according to all current national safety code requirements.
- 5). The cable connecting the outdoor and indoor units must be suitable for outdoor use.
- 6). The plug must be accessible also after the appliance has been installed so that it can be pulled out if necessary.
- 7). An efficient earth connection must be ensured.
- 8). If the power cable is damaged, it must be replaced by an authorized Service Centre.



Refrigerant piping connection

The piping can be run in the 3 directions indicated by numbers in the picture. When the piping is run in direction 1 or 3, cut a notch along the groove on the side of the indoor unit with a cutter.

Run the piping in the direction of the wall hole and bind the copper pipes, the drain pipe and the power cables together with the tape with the drain pipe at the bottom, so that water can flow freely.

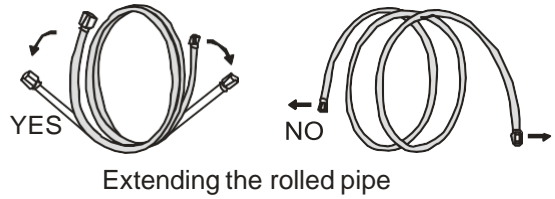


9.2.4 Connecting the pipes.

- Do not remove the cap from the pipe until connecting it, to avoid dampness or dirt from entering.
- If the pipe is bent or pulled too often, it will become stiff. Do not bend the pipe more

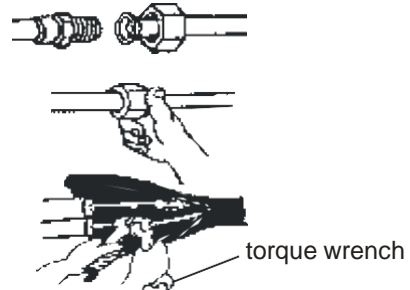
than three times at one point.

- When extending the rolled pipe, straighten the pipe by unwinding it gently as shown in the picture.



9.2.5 Connections to the indoor unit

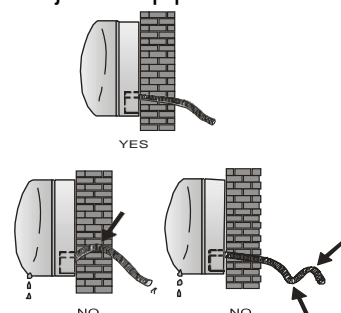
- 1). Remove the indoor unit pipe cap (check that there is no debris inside).
- 2). Insert the flare nut and create a flange at the extreme end of the connection pipe.
- 3). Tighten the connections by using two wrenches working in opposite directions.



9.2.5 Indoor unit condensed water drainage

The indoor unit condensed water drainage is fundamental for the success of the installation.

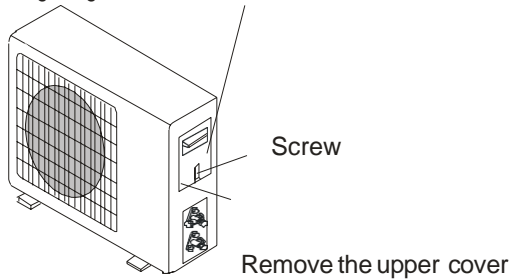
- 1). Place the drain hose below the piping, taking care not to create siphons.
- 2). The drain hose must slant downwards to aid drainage.
- 3). Do not bend the drain hose or leave it protruding or twisted and do not put the end of it in water. If an extension is connected to the drain hose, ensure that it is lagged when it passes into the indoor unit.
- 4). If the piping is installed to the right, the pipes, power cable and drain hose must be lagged and secured onto the rear of the unit with a pipe connection.
 - Insert the pipe connection into the relative slot.
 - Press to join the pipe connection to the base.



9.2.7 Electronic connections

1. Take the cover away.
2. Connect the cable wires to the terminal board using the same numbering as in the indoor unit.
3. For the electrical connections, see the wiring diagram on the back of the cover
4. Fasten the cables with a cable-clamp.
5. An efficient earth connection must be ensured.
6. Replace the covers.

Wiring diagram on the back of the cover

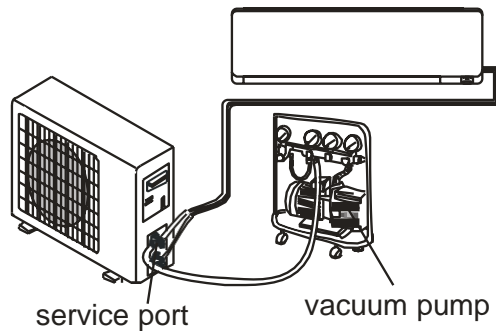


Outdoor unit

9.2.9 Bleeding

Air and humidity left inside the refrigerant circuit can cause compressor malfunction. After having connected the indoor and outdoor units, bleed the air and humidity from the refrigerant circuit by using a vacuum pump.

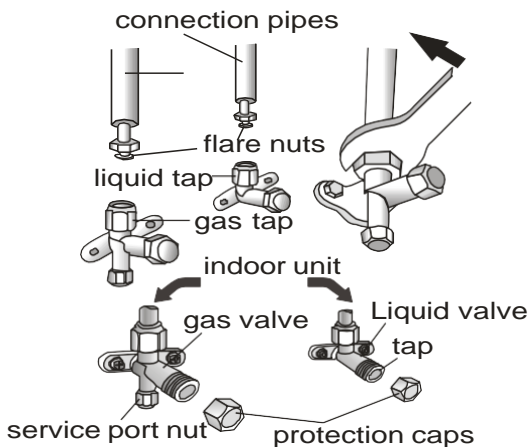
The air and humidity left inside the refrigerant circulation can cause compressor malfunction. After having connected the indoor and outdoor units, bleed the air and humidity from the refrigerant circulation using a vacuum pu



9.2.8 Connecting the pipe

Screw the flare nuts to the outdoor unit coupling with the same tightening procedures described for the indoor unit.

Note: If the tightening torque is not sufficient, there will probably be some leakage. With excessive tightening torque there will also be some leakage, as the flange could be damaged.



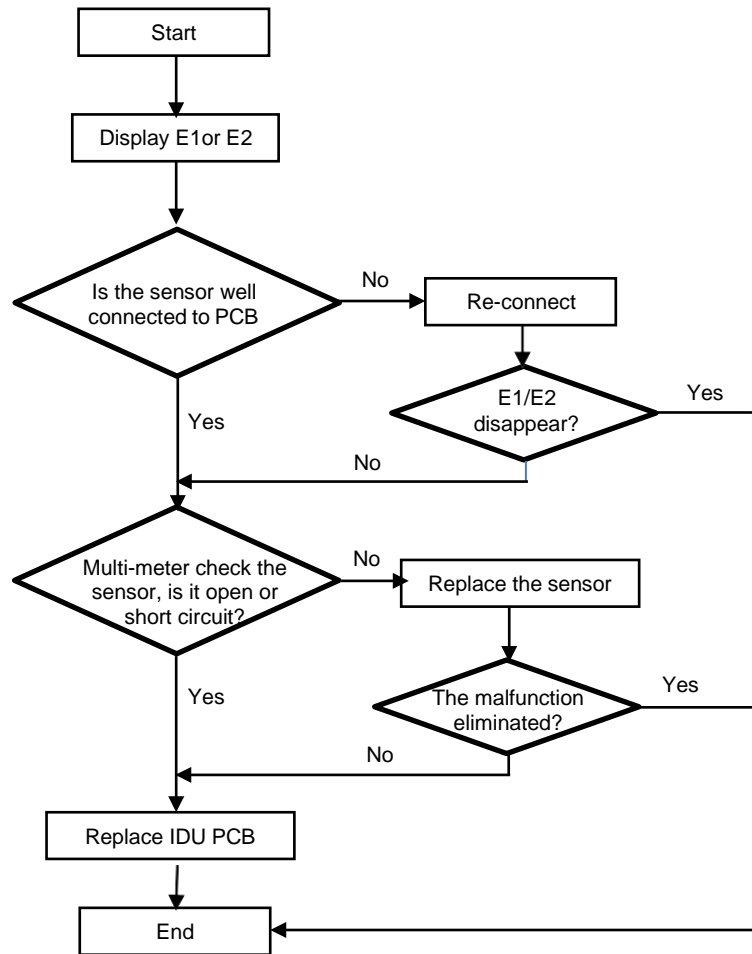
10. Maintenance

10.1 Failure code

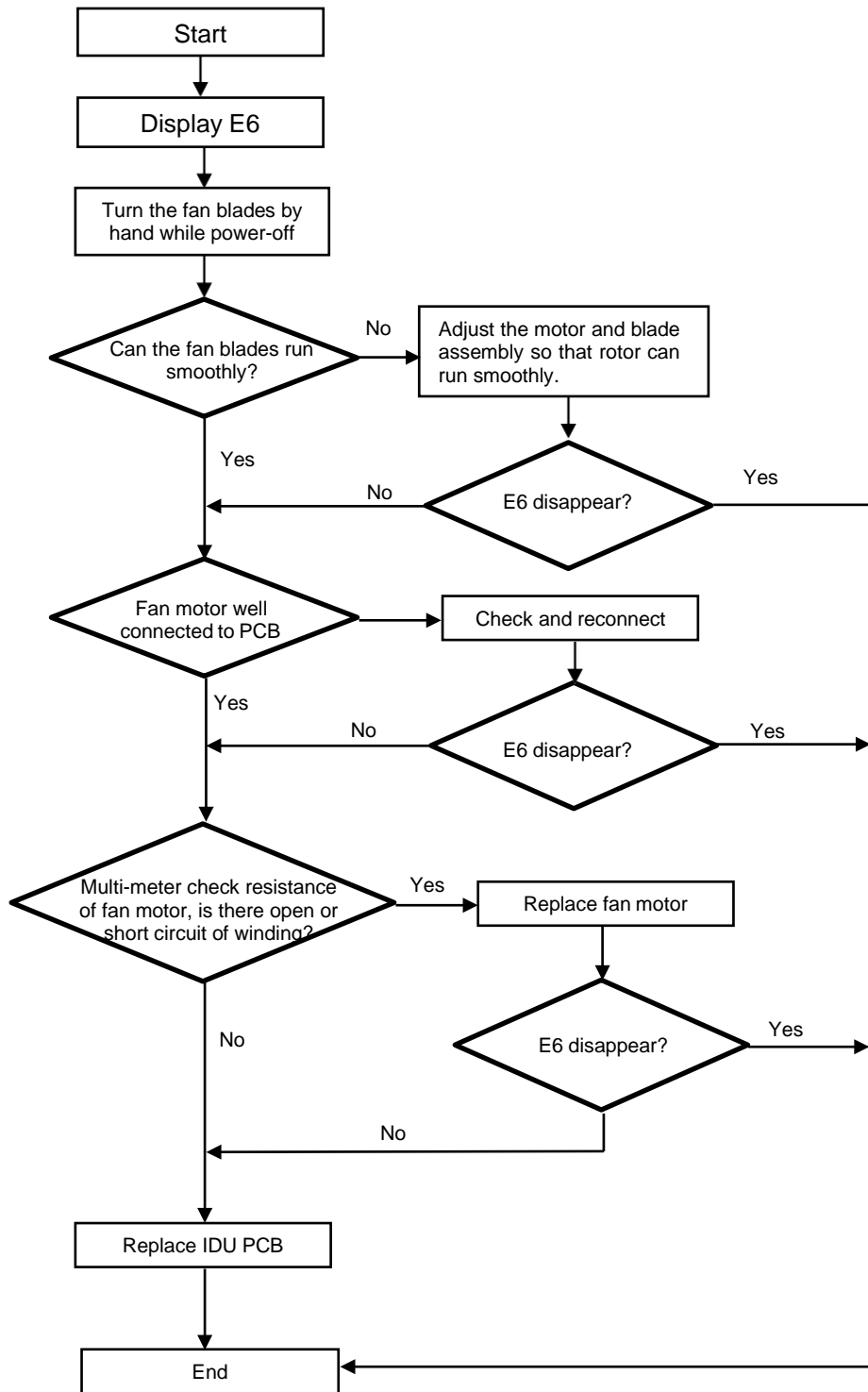
Code	Reason	Remark
E1	IDU Room Temperature sensor failure. (IDU RT failure)	IDU sensor and PCB.
E2	IDU Coil temperature sensor failure. (IDU IPT failure)	IDU sensor and PCB.
E4	Gas not enough	Please check the pressure in cooling
E5	System protection	For the high/low pressure valve model
E6	IDU PG Fan motor / DC fan motor works abnormal (IDU failure)	Fan motor, fan blade and PCB.
P7	Overheating protection on Heating mode.	Please check the troubleshooting for detail.

10.2 Trouble shooting

10.2.1 E1, E2 ---IDU Room temperature sensor and/or coil temperature sensor failure.

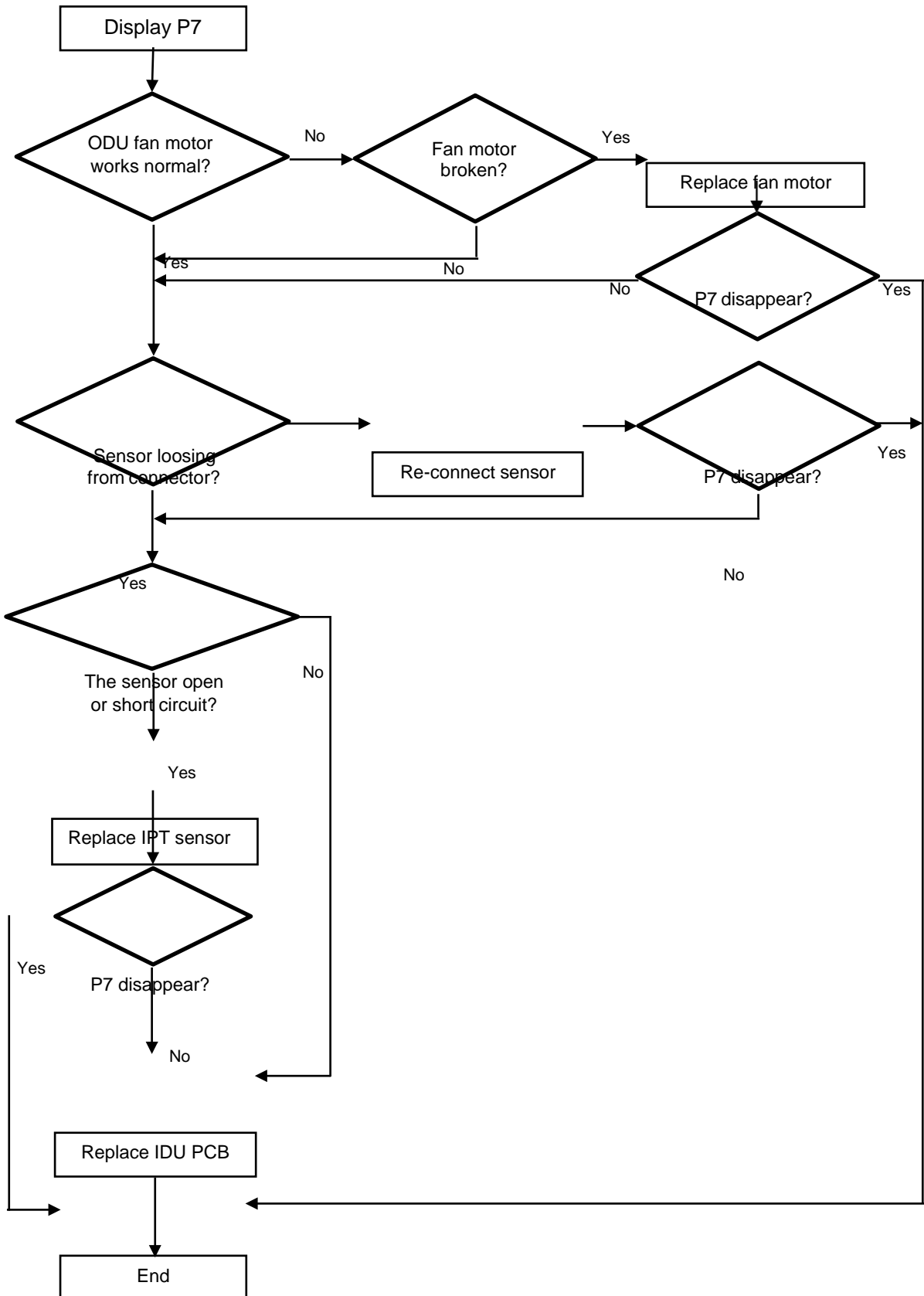


10.2.2 E6 -- IDU ventilation failure (PG and DC fan motor only)

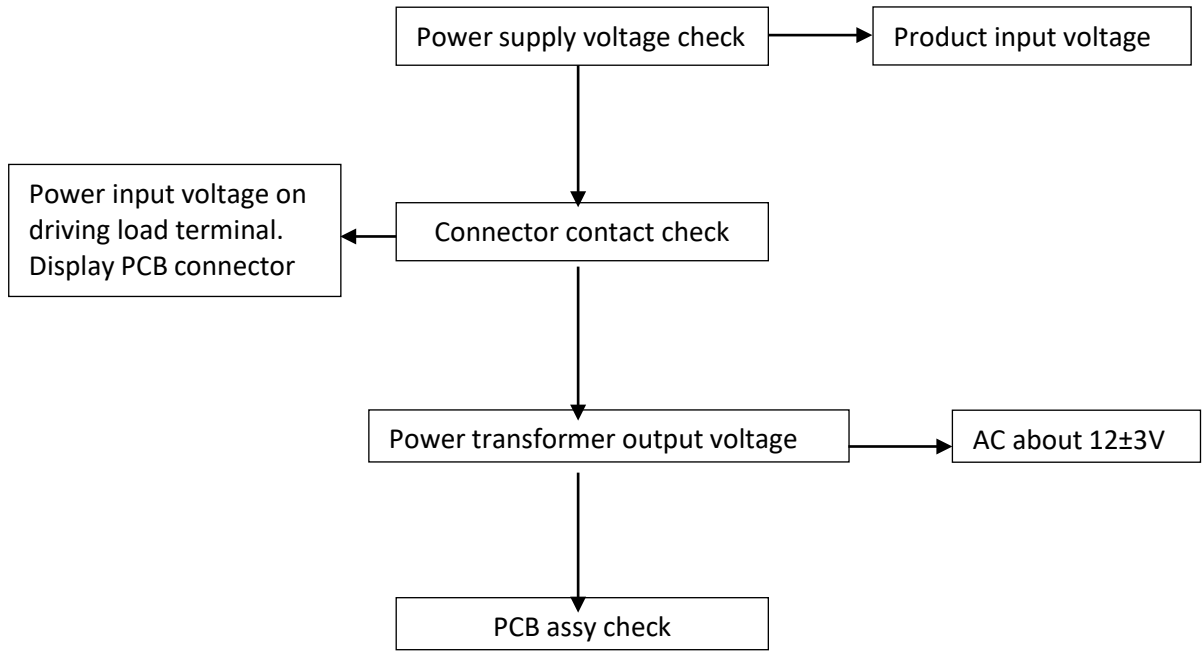


10.2.3 P7---Overheating protection on Cooling mode

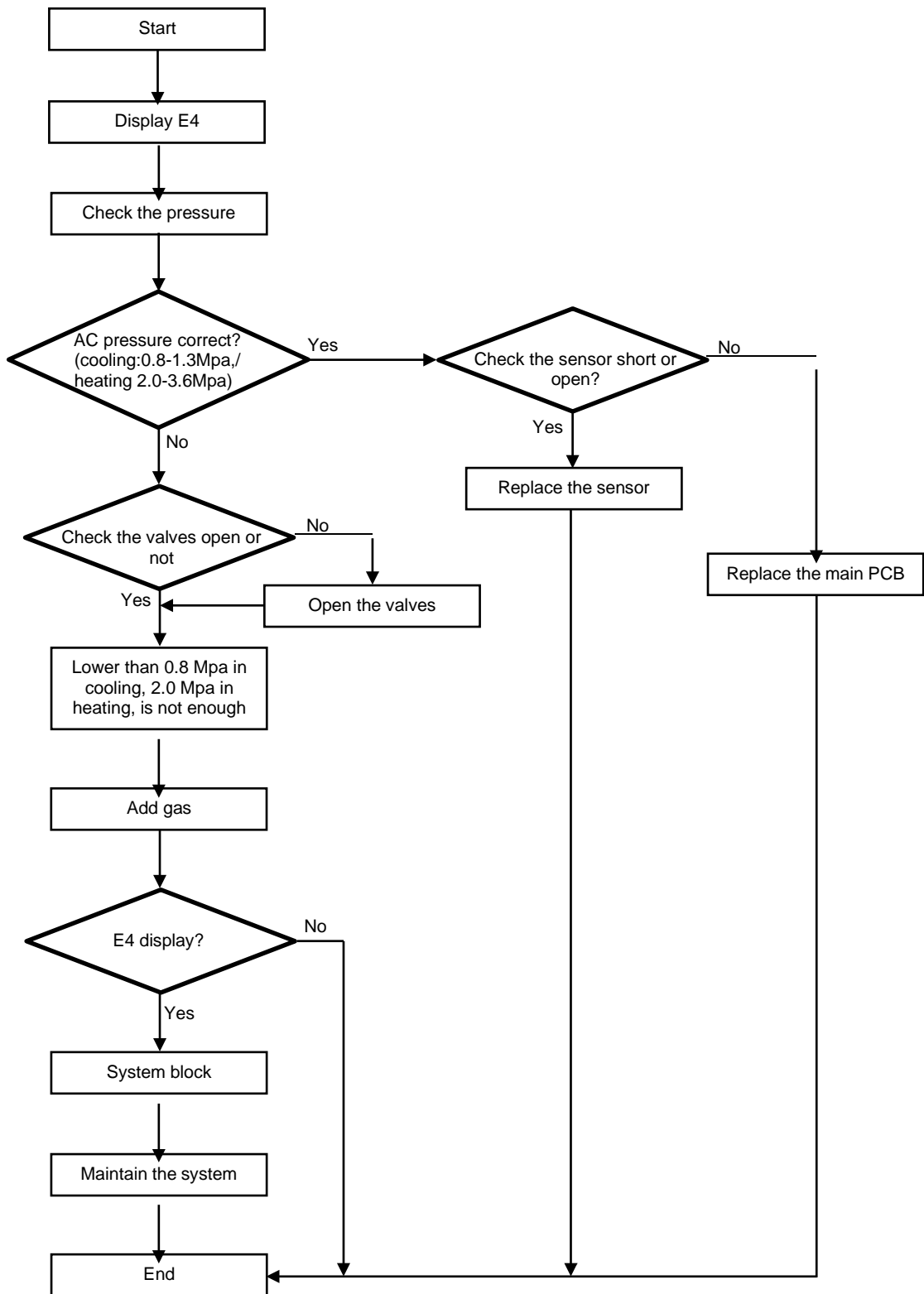
On heating mode, when IDU evaporator coil temperature IPT \geq 62°C, ODU PCB will switch off outdoor unit and show P7 failure code.



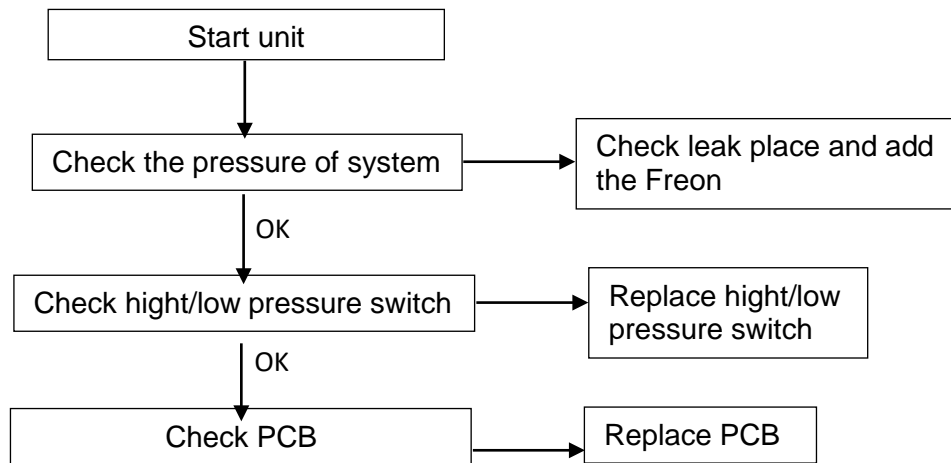
10.2.4 Product does not operate at all.



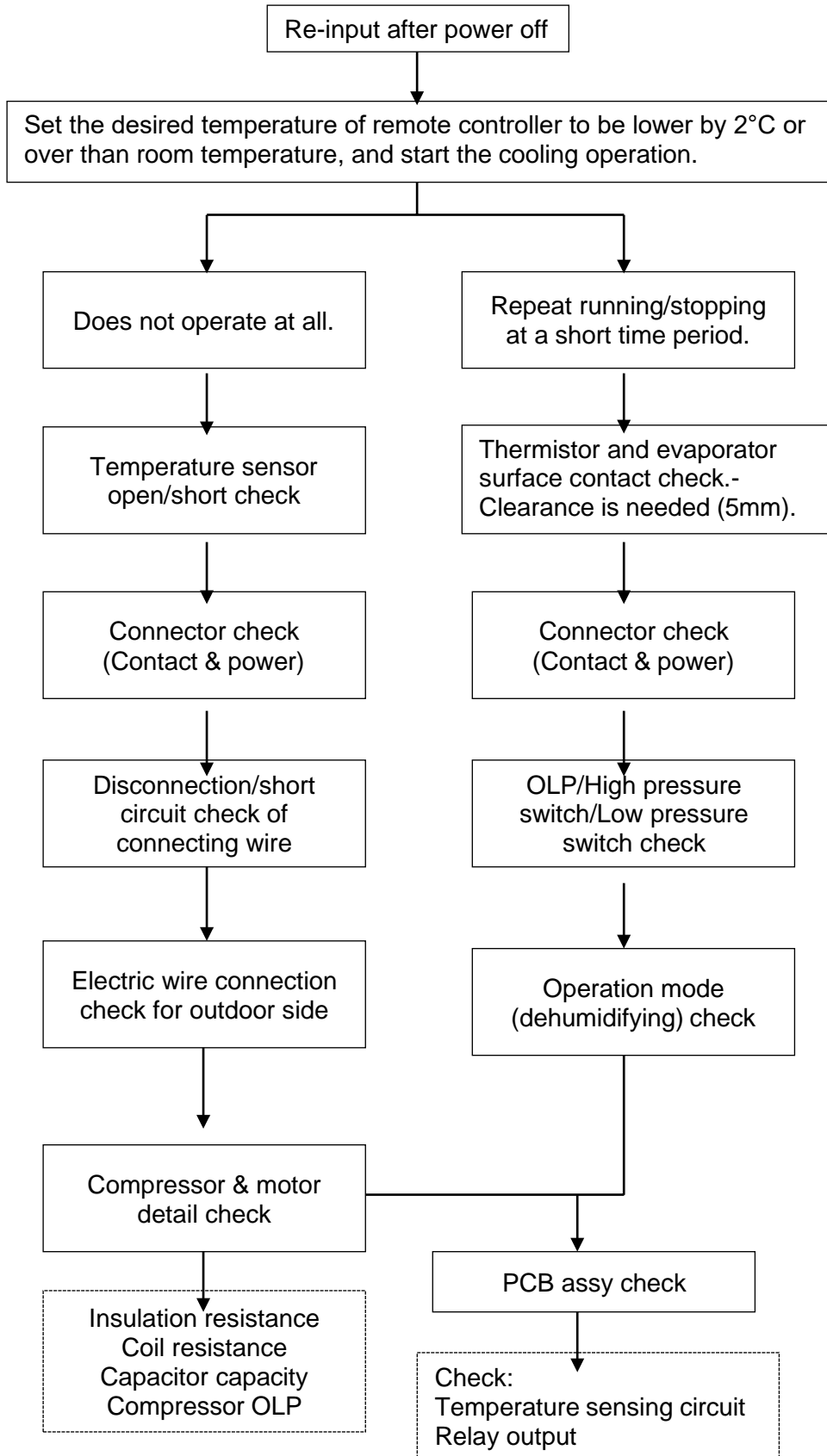
10.2.5 E4 --- AC Cooling system abnormal (Gas not enough)



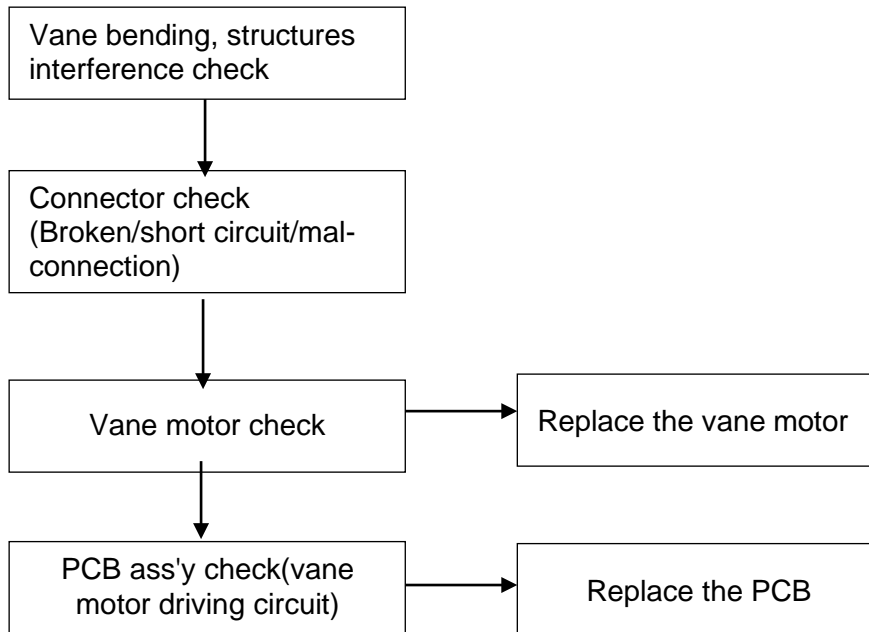
10.2.6 System protection (E5) (High/low pressure protection model)



10.2.7 Compressor or outdoor fan does not operate at all.



10.2.8 Vane does not operate at all.



10.2.9 Cooling/heating conversion is disable.

